

Pump data

| | |
|----------------------------|-------------------|
| Pressure rating : | 2,5 bar (250 kPa) |
| Min. fluid temperature : | 32 °F |
| Max. fluid temperature : | 140 °F |
| Max. Ambient temperature : | 122 °F |

Data

| | |
|-----------------------|-----------------|
| Flow : | 96 US g.p.m. |
| Head : | 46 ft |
| Fluid : | Water, pure |
| Fluid Temperature : | 68 °F |
| Density : | 62.322 lb/ft³ |
| Kinematic viscosity : | 1.0818E-5 ft²/s |
| Vapor pressure : | 2.34 kPa |

Hydraulic data (duty point)

| | |
|--------|--|
| Flow : | |
| Head : | |

Materials

| | |
|-----------------|----------------------------|
| Pump body | Reinforced technopolymer |
| Impeller | Reinforced technopolymer |
| Diffuser | Reinforced technopolymer |
| Filter | Technopolymer |
| Mechanical seal | Carbon/Alumina/NBR/AISI316 |
| Filter cover | Polycarbonate |
| O-ring | NBR |

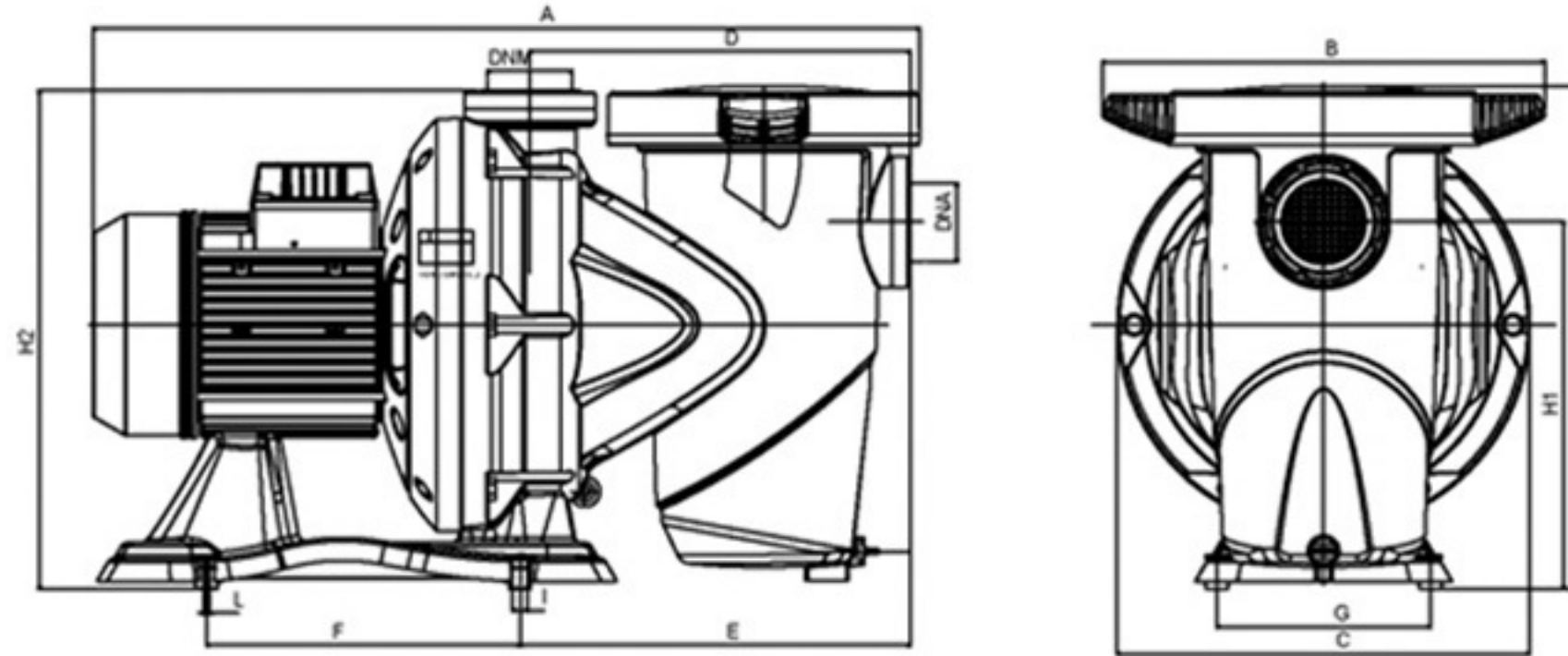
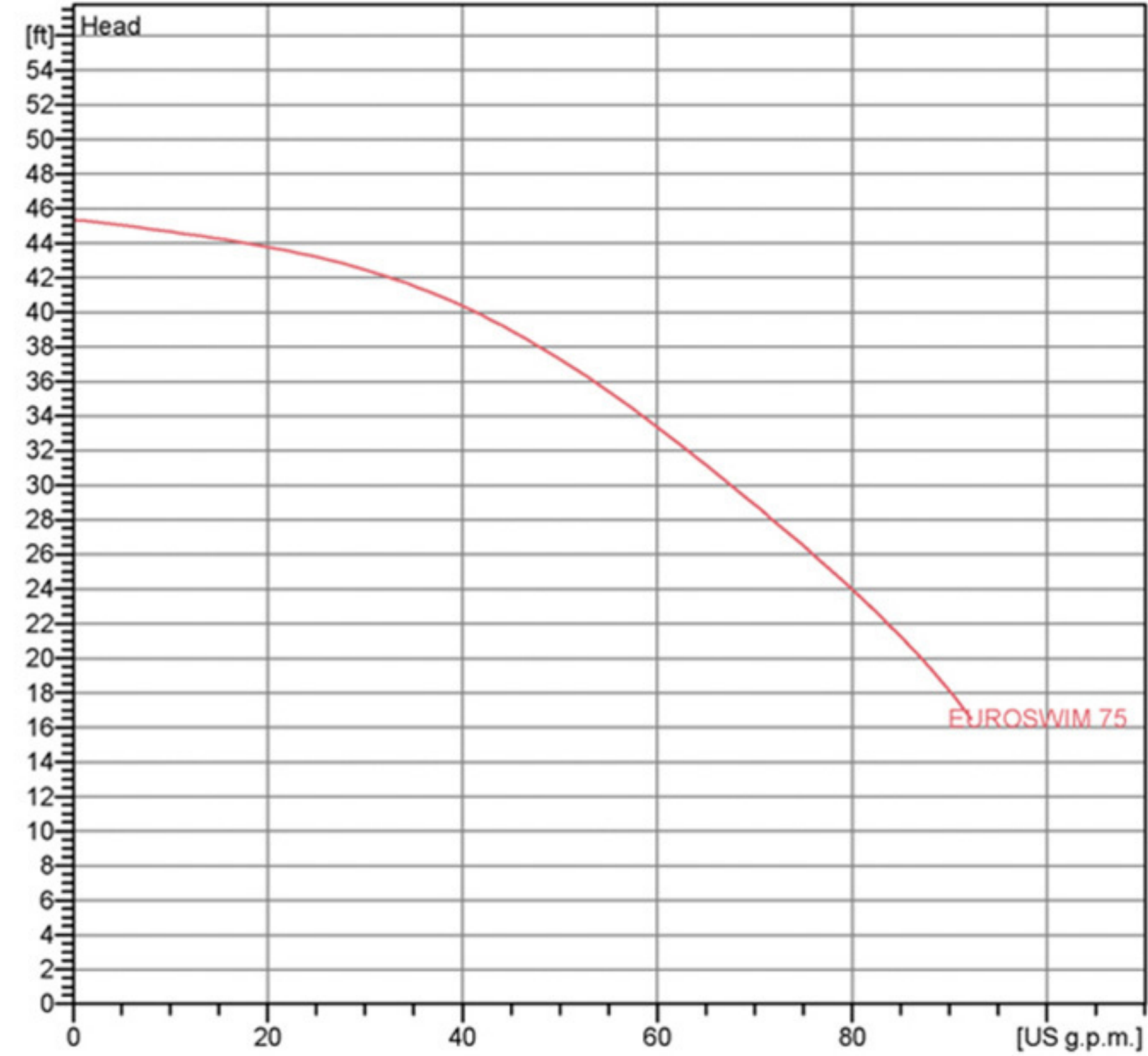
Motor data

| | |
|------------------------|-------------------------|
| Motor brand : | DAB |
| Nominal power P2 : | 0.67051 hp |
| Rated speed : | 3400 rpm |
| Rated voltage : | 1~ 208-230 V 60 Hz |
| Nominal current : | 6.2 A |
| Degree of protection : | IP 55 |

Pump connection

| | |
|------------------|--------------------------|
| Suction side : | 2" G / 2,5 bar (250 kPa) |
| Discharge side : | 2" G / 2,5 bar (250 kPa) |

Curve tolerance according to ISO 9906



Weight : 26.675 lb

Dimensions in inch

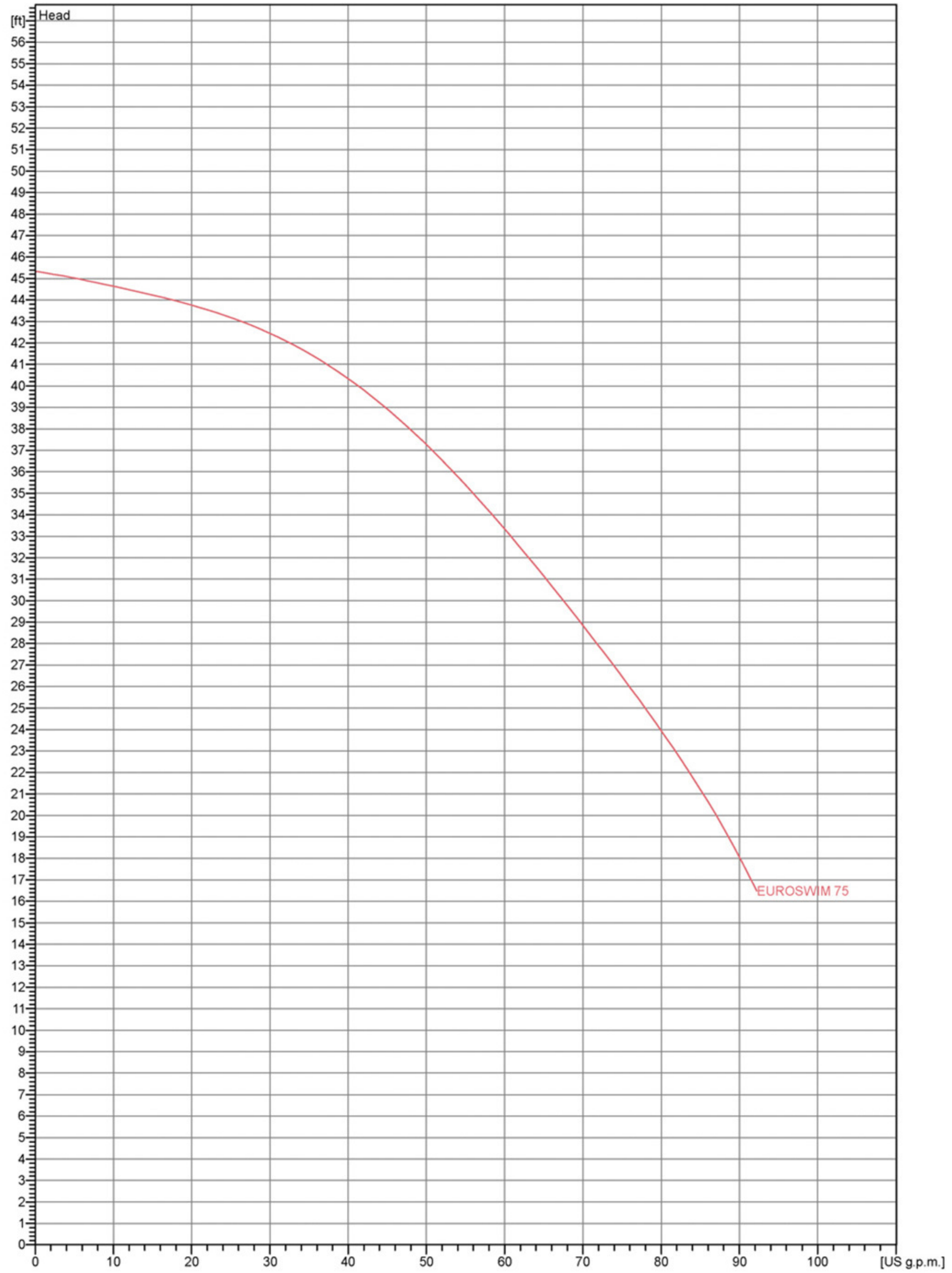
| Dimension | Value | Dimension | Value |
|-----------|--------|-----------|---------|
| A | 22.008 | H1 | 8.7402 |
| B | 11.811 | H2 | 12.362 |
| C | 9.6457 | I | 0.43307 |
| D | 10.118 | L | 0.25591 |
| DNA | G2" | | |
| DNM | G2" | | |
| E | 10.433 | | |
| F | 8.6614 | | |
| G | 5.9055 | | |
| H | 12.48 | | |



PERFORMANCE CURVE

EUROSWIM 75 M

Curve tolerance according to ISO 9906



Hydraulic data (duty point)

Suction side :
2 " G
2,5 bar (250 kPa)

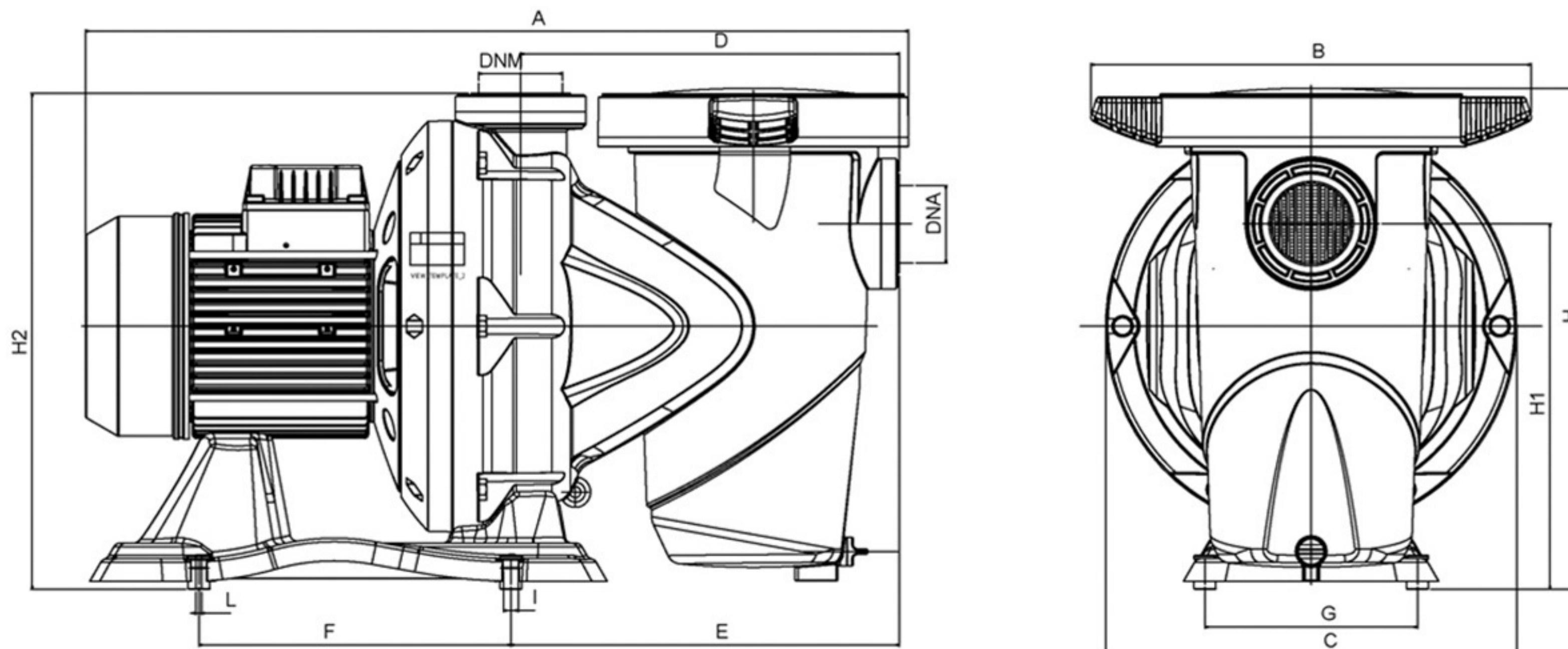
Discharge side :
2 " G
2,5 bar (250 kPa)

Flow :
96 US g.p.m.

Head :
46 ft

Rated speed :
3400 rpm

EUROSWIM 75 M



| Dimensions in inch | | | | | Pump connection | |
|--------------------|-----|--------|----|---------|-----------------|--|
| 1 | A | 22.008 | H1 | 8.7402 | | Suction 2" G 2,5 bar (250 kPa) Discharge 2" G 2,5 bar (250 kPa) |
| 2 | B | 11.811 | H2 | 12.362 | | |
| 3 | C | 9.6457 | I | 0.43307 | | |
| 4 | D | 10.118 | L | 0.25591 | | |
| 5 | DNA | G2" | | | | |
| 6 | DNM | G2" | | | | |
| 7 | E | 10.433 | | | | |
| 8 | F | 8.6614 | | | | |
| 9 | G | 5.9055 | | | | |
| 10 | H | 12.48 | | | | |