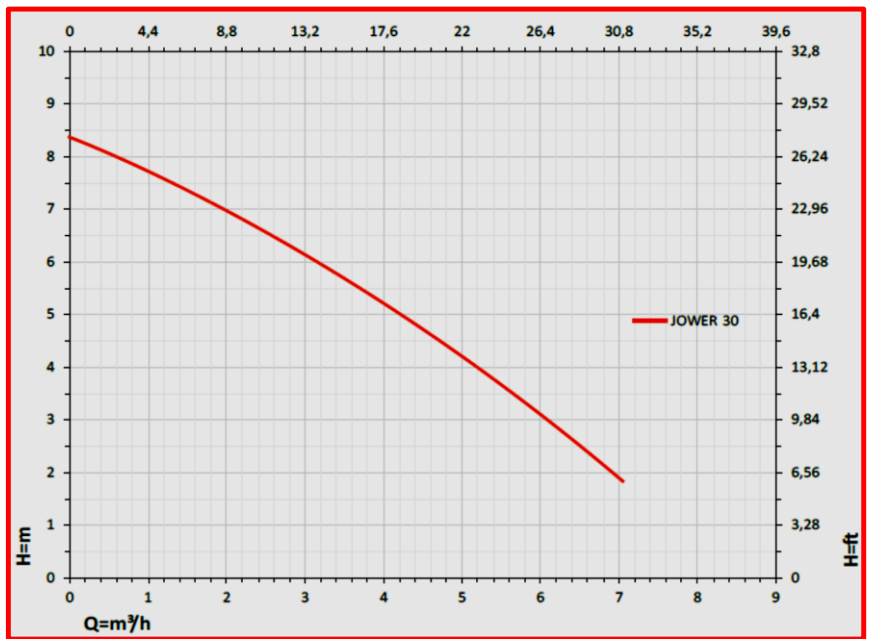


Pump Data

Brand :	JMS		
Model :	JOWER 30 M		
Head Rate :	19.6 FEET	Flow Rate :	17.6 GPM
Head Max :	31 FEET	Flow Max :	34 GPM
Head Min :	5 FEET	Flow Min :	5 GPM
RPM :	3450 rpm		
Normal Power P1 :	0.8 HP		
Fluid :	Water		
Fluid Temperature :	at about 25 °C.		
Density :	water 1.0 kg/Dm ³		
Fluid Viscosity :	8.90 × 10 ⁻⁴ Pa·s		
With Float switch :	NONE		
kind of Workiny :	Submersible		
Delivery size :	1 1/4" NPT		
Suction size :	With Strainer		
Made in :	ITALY		



Motor Data

Power P1:	0.6 KW	
Phase (PH):	1	
Rate Voltage :	115 V	
Capacitor Need :	16	µF
Ferequency :	60 Hz	
Rated Speed (rpm):	3450 rpm	
Max . I (A):	4.8 A	
Cos φ :	0.95	
Degree of Protection (IP):	IP 68	
Safety Protection Included:	F	
length of Cable :	10 M	
Kind of Plug :	NONE	
Ambient Temp :	40°C = 104°F	

Other Pump Data

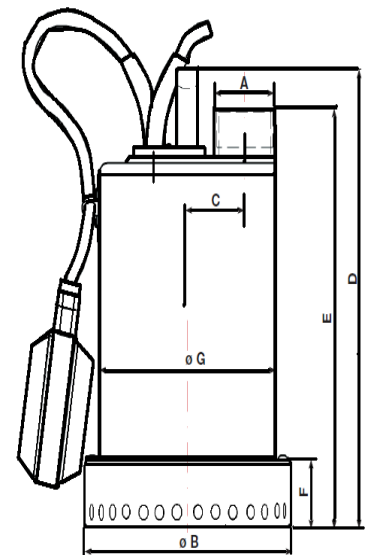
Impeller Size (mm) :	*
Pressuer Rating :	PN 16
Min. Fluid Temp :	10°C = 50°F
Max. Fluid Temp :	35°C = 95°F
Ambient Temp :	40°C = 104°F
Humidity % :	100%

Special Specification

Installation status :	Vertical
Variable frequency :	NONE
Solid Passage	10 mm

Materials

Pump Body :	Tecnopolymer
Support:	Stainless steel
Impeller	Tecnopolymer
Mechanical Seal:	Graphite - Ceramic
Rubber	NBR 70
Pump Shaft:	AISI 303
Strainer	Stainless steel
outer cover:	Tecnopolymer
Motor Case:	Stainless steel



Shaft Seal

Type:	*
Stationary Part	AISI 303
Rotating Part	AISI 303
Elastomer	NBR 70

Weight : 7 Kg

Standard Approve



Applicant:

Dimention in mm

A	1 1/4" Inch
B	154
C	41
D	241
E	228
F	40
G	132

Pump and Motor specification optional

With Booster System	None
With Complack	None
Special Material	None
Specail Voltage	None

Protection system required

External Flout switch	YES
Minimum Starter	Starter SWT

Rain Seepage Sump Pit And Catch Tank Water
 Pump Out Garden And Vegetable-Garden Mini
 Flood Irrigation System Rainwater Catch Tank
 Pump Down White Water Pump Over From
 Reservoirs And Vats. Pumping Aggressive Liquid