



Technical Data

Immersible Coolant Pump - SBK 20-4/4

Revision no.

Page:
 1

Receiver	From

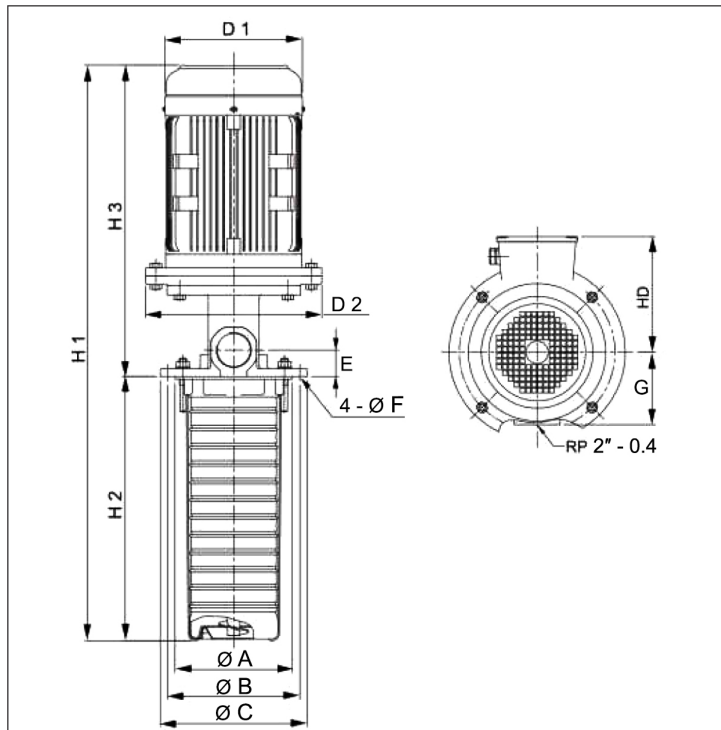
Company name
 Respons. Department
 Person in charge
 Phone number
 Fax no
 E-mail address



Brand: Gol Pumps
Model: SBK 20-4/4
Material: Stainless Steel

Enclosure Class	IP55
Insulation Class	F
Liquid Temp. Range	-50 °F to +194 °F
Max. ambient temp.	+122 °F
Mechanical Seal	SUUV

Dimensions:



Pump Installation Size (inch)													Weight
Outlet	A	B	C	E	F	G	H1	H2	H3	D1	D2	HD	lb
RP 2-0.4	7.9	8.9	9.8	1.8	0.4	4.8	33.2	10.6	22.7	9.3	11.8	7.8	178.6

Project	Project ID	Created by	Created on	Last update
---------	------------	------------	------------	-------------



Performance Curves

Immersible Coolant Pump - SBK 20-4/4

Revision no.

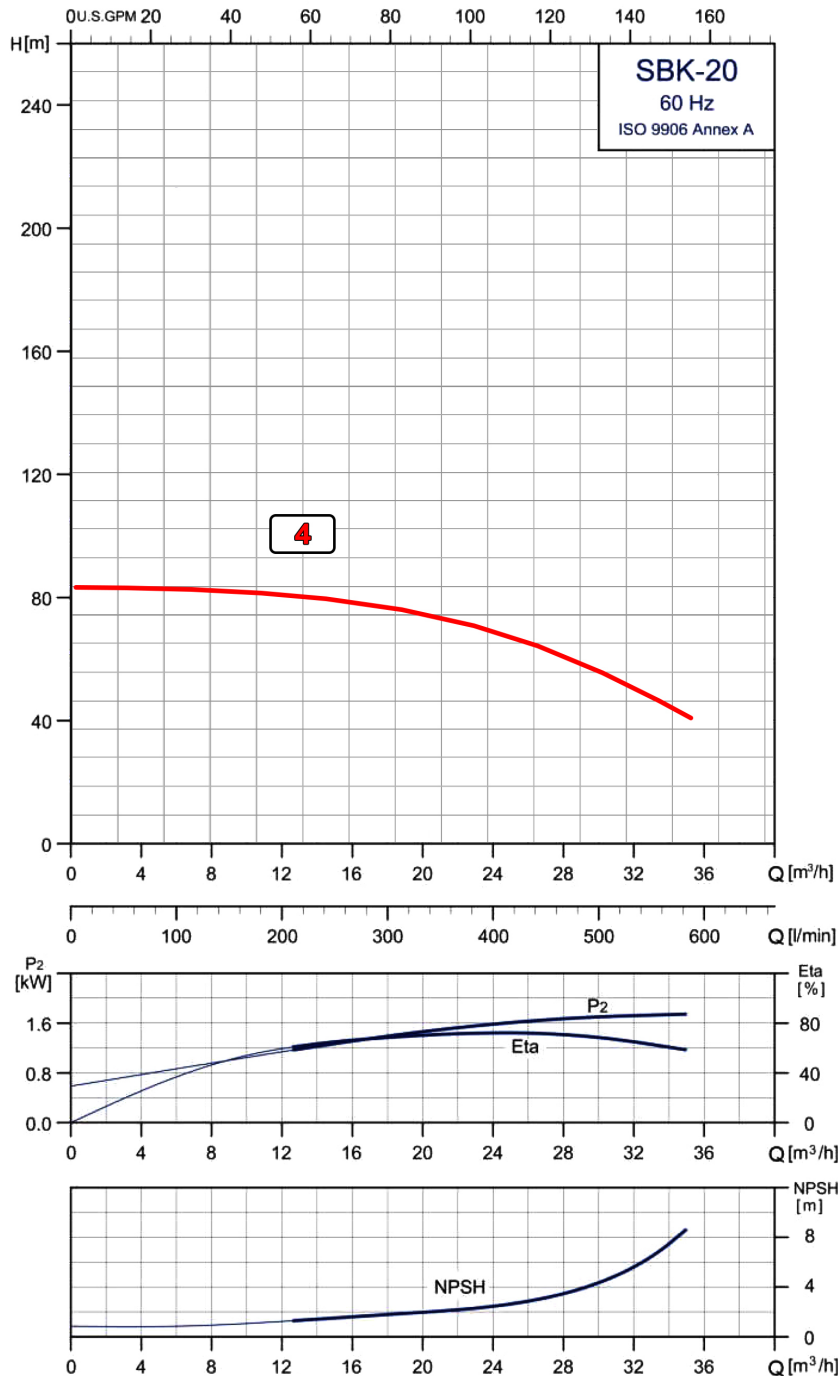
Page:
2

Receiver

From

Company name
Respons. Department
Person in charge
Phone number
Fax no
E-mail address

Model	Capacity			Head		Speed	Motor	Voltage	Phase	Amps	Eff.	(NPSH)r
	m ³ /h	l/m	gpm	m	ft	r/min	hp	v			%	ft
SBK 20-4/4	35	580	155	85	278.9	3450	10	230/460	3	24.7/12.5	75	29.5



Project

Project ID

Created by

Created on

Last update



Parts and Materials

Multi-Stage Horizontal Pump - SBK 20-4/4

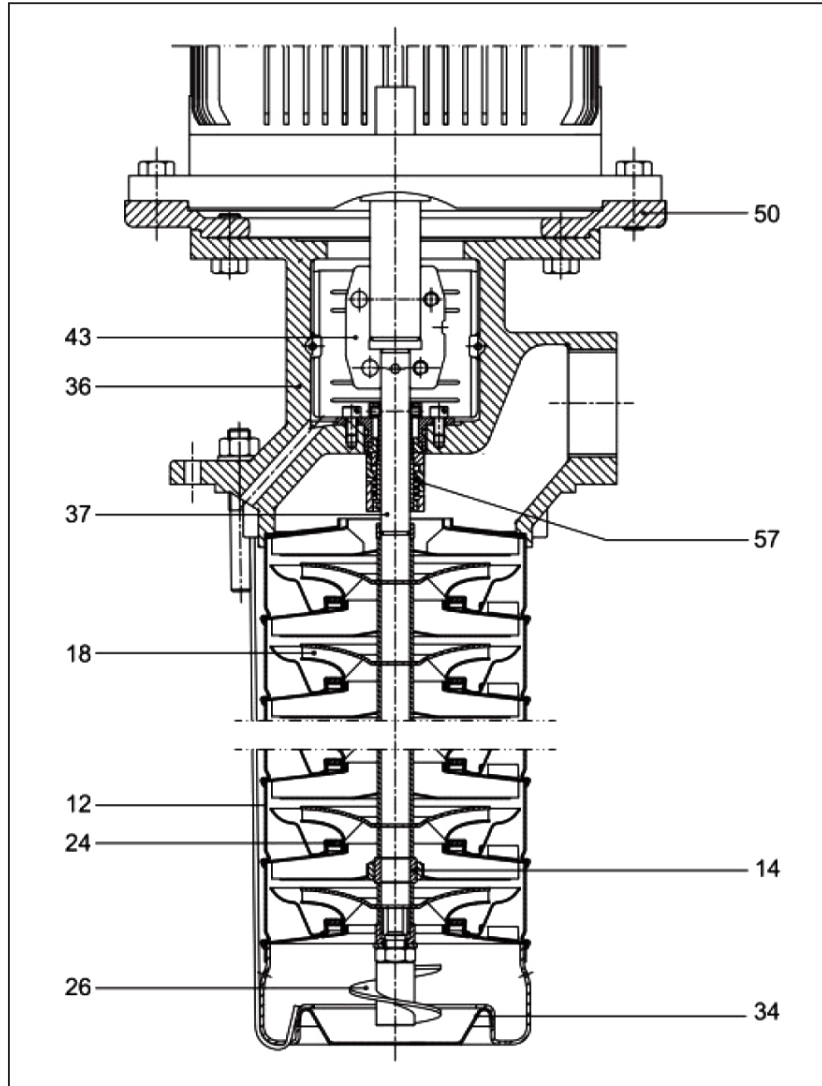
Revision no.

Page:

3

Receiver

From

 Company name
 Respons. Department
 Person in charge
 Phone number
 Fax no
 E-mail address


No	Component	Material	AISI/ASTM
12	Chamber Complete	Stainless Steel	AISI 304
14	Bearing Ring	Sic	
18	Impeller	Stainless Steel	AISI 304
24	Neck Ring	PTFE	
26	Priming Screw	Stainless Steel	AISI 304
34	Strainer	Stainless Steel	AISI 304
36	Pump Head	EN-GJL-200	ASTM 25B
37	Pump Shaft	Stainless Steel	AISI 431
43	Coupling		
50	Motor Stool	EN-GJL-200	ASTM 25B
57	Shaft Seal	SUUV	

Project

Project ID

Created by

Created on

Last update



Installation

Immersible Coolant Pump - SBK 20-4/4

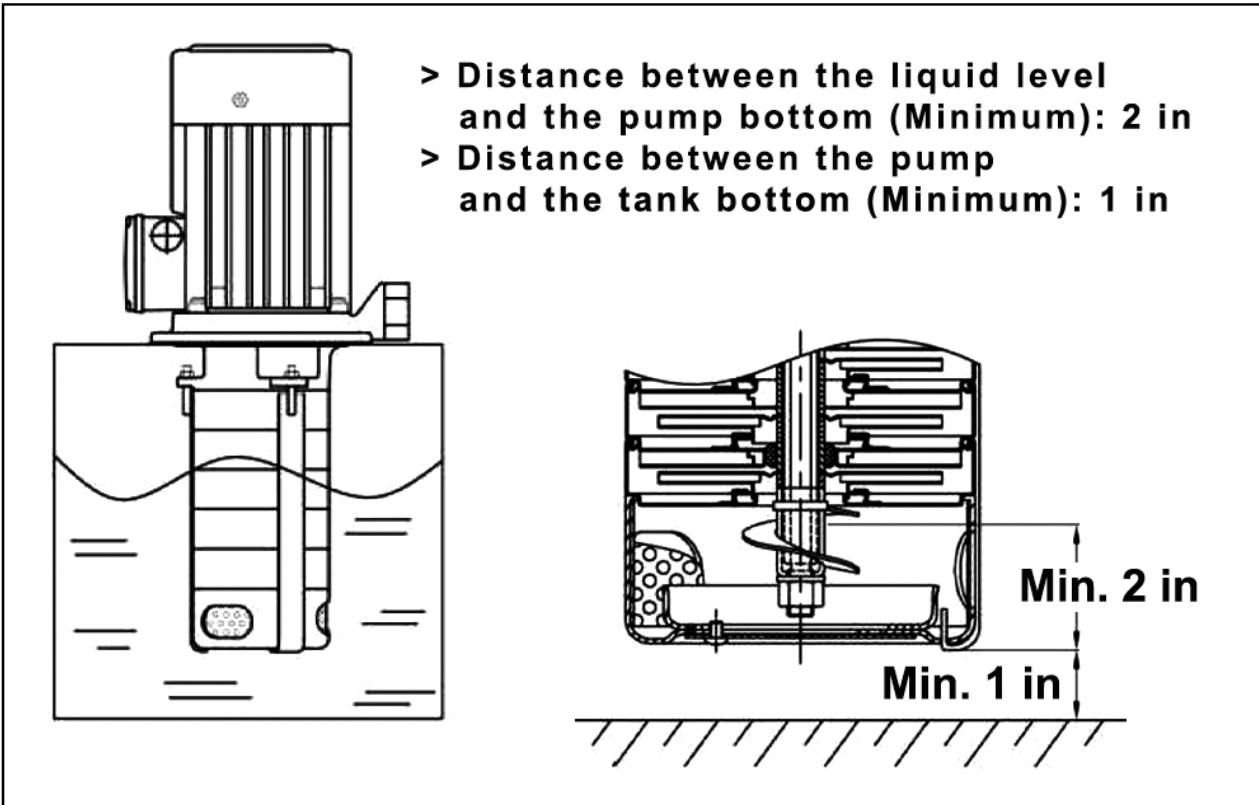
Revision no.

Page:
4

Receiver

From

Company name
Respons. Department
Person in charge
Phone number
Fax no
E-mail address



Project

Project ID

Created by

Created on

Last update