



## Technical Data

### Immersible Coolant Pump - SBKI 5-5/5

Revision no.

Page:  
 1

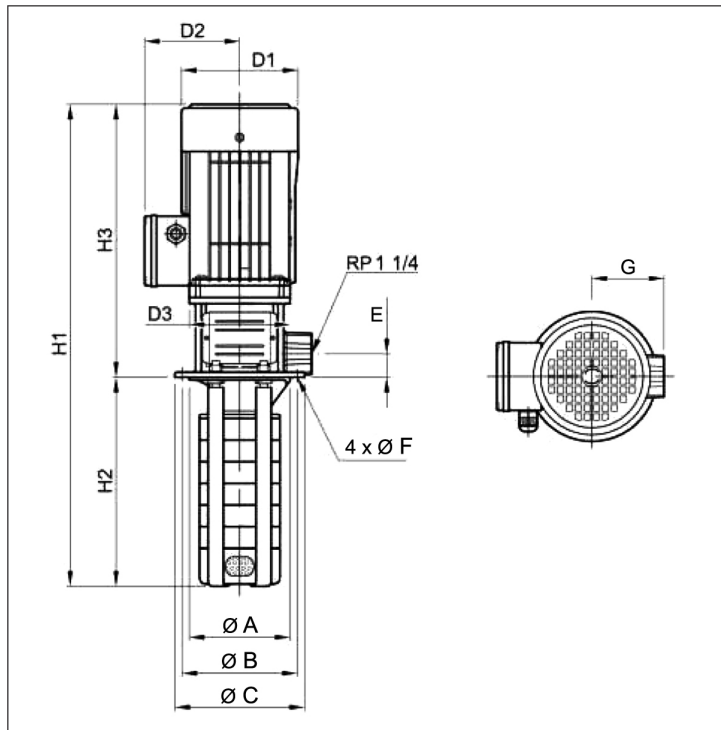
	Receiver	From
Company name		
Respons. Department		
Person in charge		
Phone number		
Fax no		
E-mail address		



**Brand: Gol Pumps**  
**Model: SBKI 5-5/5**  
**Material: Stainless Steel**

Enclosure Class	IP55
Insulation Class	F
Liquid Temp. Range	-50 °F to +194 °F
Max. ambient temp.	+122 °F
Mechanical Seal	SUUUV

### Dimensions:



Pump Installation Size (inch)													Weight
Outlet	A	B	C	E	F	G	H1	H2	H3	D1	D2	D3	lb
RP 1 1/4	5.5	6.3	7.1	1.3	0.3	3.9	25.8	9.8	16	7	5.6	5.5	57.4

Project	Project ID	Created by	Created on	Last update
---------	------------	------------	------------	-------------



# Performance Curves

## Immersible Coolant Pump - SBKI 5-5/5

Revision no. \_\_\_\_\_

Page: 2

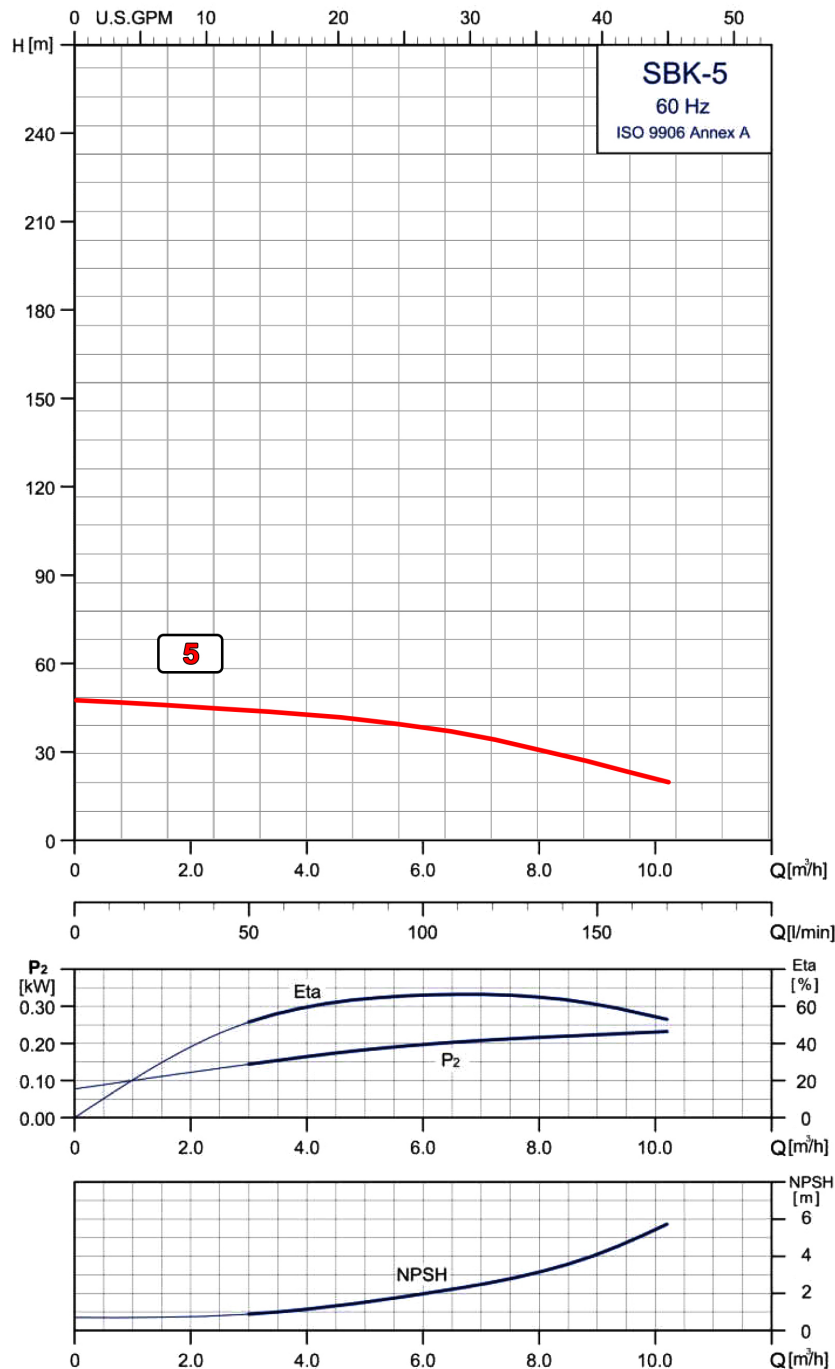
Receiver \_\_\_\_\_

From \_\_\_\_\_

Company name \_\_\_\_\_  
 Respons. Department \_\_\_\_\_  
 Person in charge \_\_\_\_\_  
 Phone number \_\_\_\_\_  
 Fax no \_\_\_\_\_  
 E-mail address \_\_\_\_\_



Model	Capacity			Head		Speed	Motor	Voltage	Phase	Amps	Eff.	(NPSH)r
	m <sup>3</sup> /h	l/m	gpm	m	ft	r/min	hp	v			%	ft
SBKI 5-5/5	10.2	170	45	50	164	3450	2	230	1	9.6	68	19.4



Project _____	Project ID _____	Created by _____	Created on _____	Last update _____
---------------	------------------	------------------	------------------	-------------------



## Parts and Materials

### Multi-Stage Horizontal Pump - SBKI 5-5/5

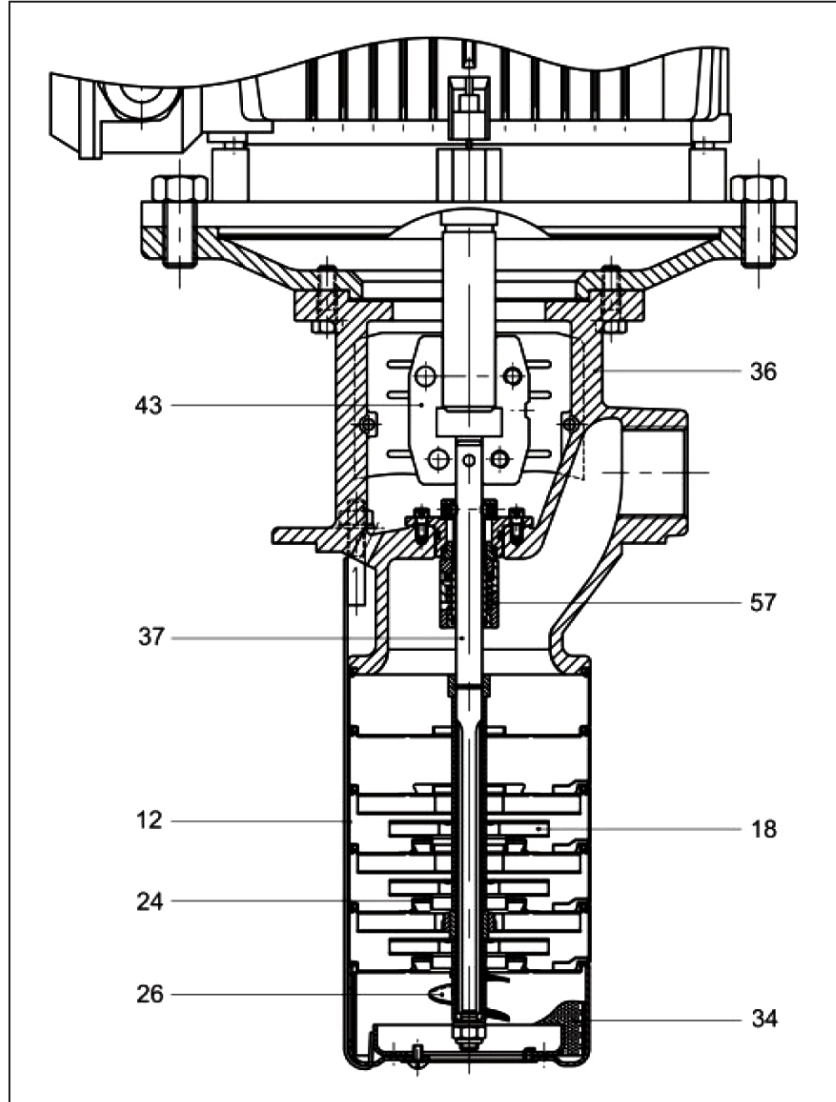
Revision no.

Page:

3

Receiver

From

 Company name  
 Respons. Department  
 Person in charge  
 Phone number  
 Fax no  
 E-mail address


No	Component	Material	AISI/ASTM
12	Chamber Complete	Stainless Steel	AISI 304
18	Impeller	Stainless Steel	AISI 304
24	Neck Ring	PTFE	
26	Priming Screw	Stainless Steel	AISI 304
34	Strainer	Stainless Steel	AISI 304
36	Pump Head	Cast Iron	ASTM 25B
37	Pump Shaft	Stainless Steel	AISI 431
43	Coupling		
57	Shaft Seal	SUUU	

Project

Project ID

Created by

Created on

Last update



# Installation

## Immersible Coolant Pump - SBKI 5-5/5

Revision no.

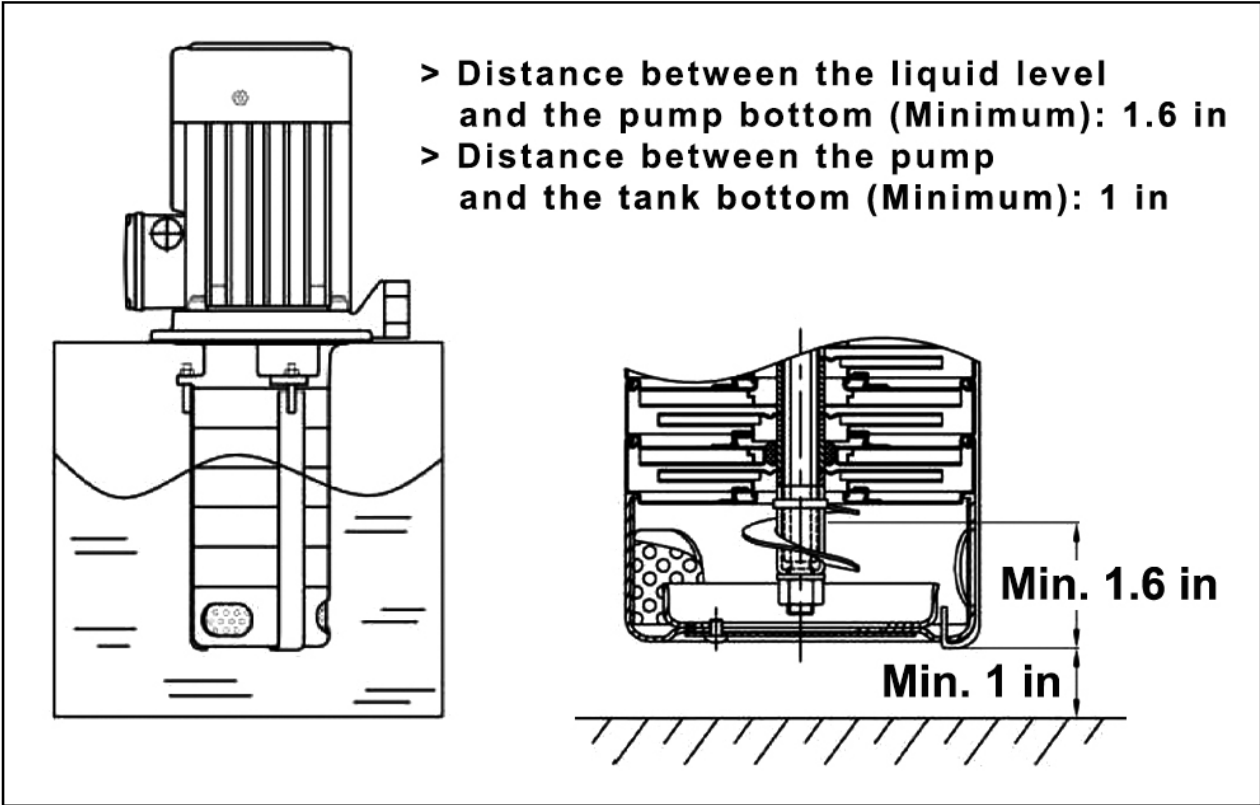
Page:  
4

Receiver

From

Company name  
Respons. Department  
Person in charge  
Phone number  
Fax no  
E-mail address





Project

Project ID

Created by

Created on

Last update