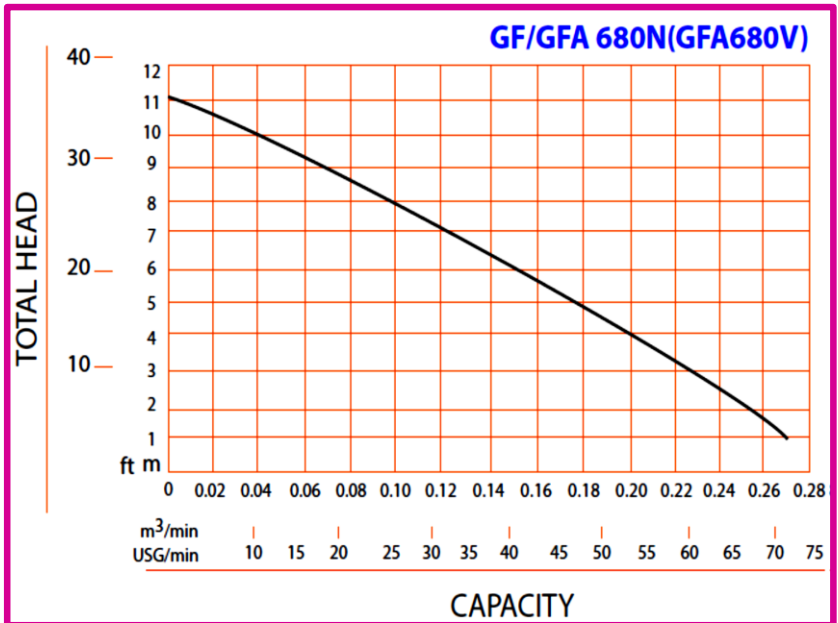


#### Pump Data

Brand :	Gol Pump		
Model :	GF / GFA - 680 V		
Head Rate :	23 FEET	Flow Rate:	32 GPM
Head Max:	36 FEET	Flow Max:	72 GPM
Head Min:	3 FEET	Flow Min :	5 GPM
RPM :	3450 rpm		
Normal Power P1 :	1 HP		
Fluid:	Water		
Fluid Temperature:	at about 25 °C		
Density:	water 997 kg/m <sup>3</sup>		
Fluid Viscosity:	8.90 × 10 <sup>-4</sup> Pa·s		
With Float switch	NONE		
Self Priming	Submersible		
Delivery size	2" NPT		
Suction size	With Strainer		
Made in :	TAIWAN		



#### Motor Data

Power P2:			
Power P1:	0.68 KW		
Phase (PH):	1		
Rate Voltage :	220 V		
Capacitor Need :	*	µF	
Ferequency :	60 Hz		
Rated Speed (rpm):	3450 rpm		
Current (A):	1.8 A		
Cos φ :	0.95		
Degree of Protection (IP):	IP 68		
Safety Protection Included :	*		
length of Cable :	0.75 × 4	mm2×m	
Kind of Plug :	NONE		
Ambient Temp :	40°C = 104°F		

#### Other Pump Data

Impeller Size (mm) :	*
Pressuer Rating :	PN 16
Min. Fluid Temp :	10°C = 50°F
Max. Fluid Temp :	40°C = 104°F
Ambient Temp :	40°C = 104°F
Humidity % :	100%

#### Special Specification

Installation status :	Ver
Variable frequency :	NONE
Solid Passage	*

#### Materials

Pump Body :	Plastic
Support:	Plastic
Impeller	Plastic
Mechanical Seal:	Ceramic - Carbon
Rubber	NBR
Pump Shaft:	Stainless steel
Strainer	Plastic
outer cover:	Plastic
Motor:	Stainless steel

#### Shaft Seal

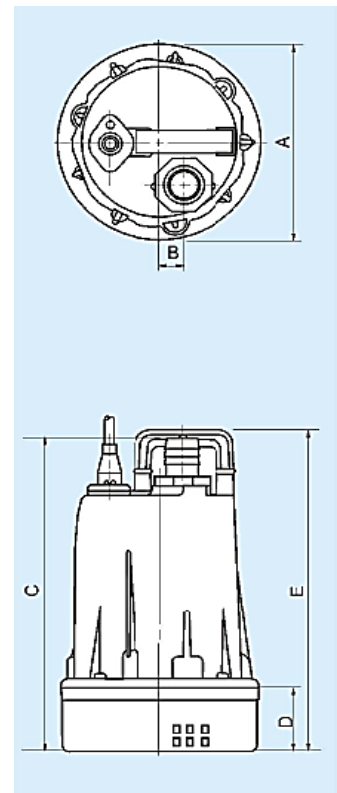
Type:	*
Stationary Part	Ceramic
Rotating Part	Carbon
Elastomer	NBR

#### Pump and Motor specification optional

With Booster System	None
With Complack	None
Special Material	None
Specail Voltage	None

#### Protection system required

External Flout switch	YES
Minimum Starter	Starter SWT



Weight :6.8 Kg		Applicant:		Dimention in	
Standard Approve		Multipurpose low power electric pump suitable for drainage of clean water or removing water from flooded basements garages and small sumps		mm	
CSA				A	159
				B	43
				C	348
				D	108
UL		E	320		
CE					