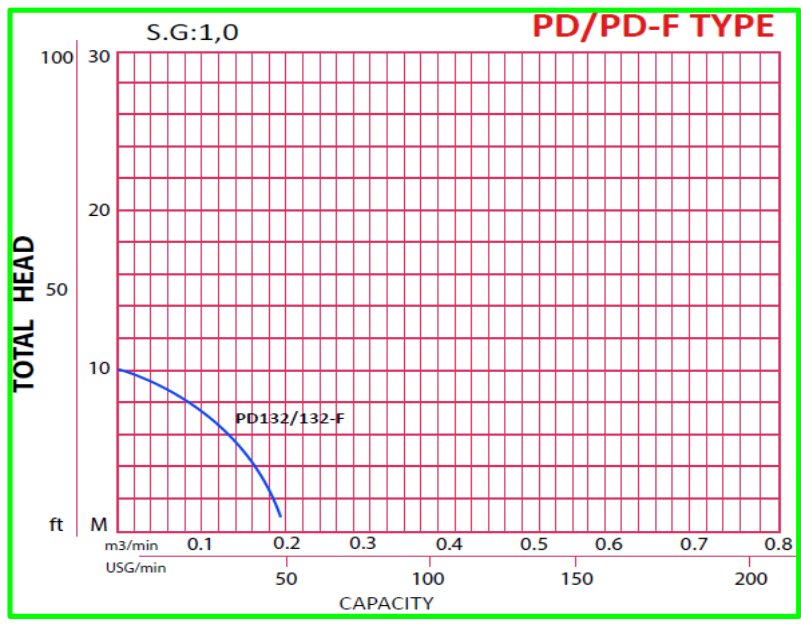


Pump Data	
Brand :	Gol Pump
Model :	GPD - 132 F
Head Rate : 11 FEET	Flow Rate: 13 GPM
Head Max: 33 FEET	Flow Max: 50 GPM
Head Min: 6 FEET	Flow Min : 5 GPM
RPM :	3450 rpm
Normal Power P1 :	1 HP
Fluid:	Water
Fluid Temperature:	at about 25 °C
Density:	water 997 kg/m ³
Fluid Viscosity:	8.90 x 10 ⁻⁴ Pa·s
With Float switch	NONE
Self Priming	Submersible
Delivery size	1.5" NPT
Suction size	With Strainer
Made in :	TAIWAN



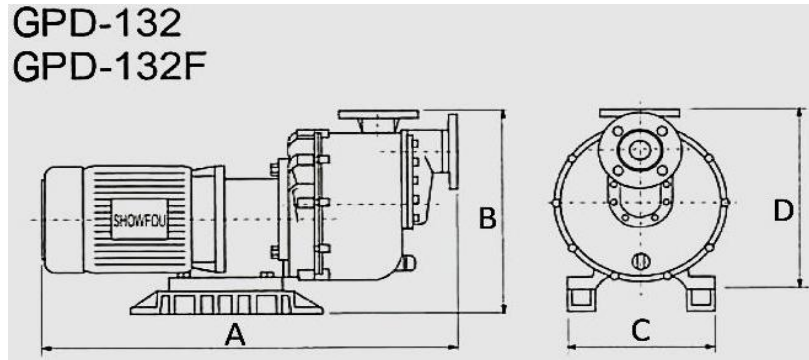
Motor Data	
Power P2:	*
Power P1:	0.75 KW
Phase (PH):	3
Rate Voltage :	480 V
Capacitor Need :	* μF
Ferequency :	60 Hz
Rated Speed (rpm):	3450 rpm
Current (A):	1 A
Cos φ :	0.85
Degree of Protection (IP):	IP 68
Safety Protection Included :	*
length of Cable :	* mm2xmm
Kind of Plug :	NONE
Ambient Temp :	40°C = 104°F



Other Pump Data	
Impeller Size (mm) :	*
Pressuer Rating :	PN 16
Min. Fluid Temp :	0°C = 32°F
Max. Fluid Temp :	90°C = 194°F
Ambient Temp :	40°C = 104°F
Humidity % :	100%

Special Specification	
Installation status :	Ver
Variable frequency :	NONE
Solid Passage	40 mm

Materials	
Pump Body :	Cast Iron
Support:	FRPP
Impeller	FRPP
Mechanical Seal:	Teflon
Rubber	NBR
Pump Shaft:	SUS 304
Strainer	FRPP
outer cover:	Cast Iron
Motor:	Cast Iron



Shaft Seal	
Type:	*
Stationary Part	Ceramic
Rotating Part	Carbon
Elastomer	FRPP
Pump and Motor specification optional	
With Booster System	None
With Complack	None
Special Material	None
Specail Voltage	None
Protection system required	
External Flout switch	*
Minimum Starter	Starter SWT

Weight : 30 Kg		Applicant:		Dimention in	
Standard Approve				mm	
CSA		Wasted and Polluted Water Treatment PCB Electronic Paper Industry Leather		A	625
		Industry Dyeing and Textile Surface Electric Plated Industry Chemical Engineering		B	374
UL		Industry Medical and Pharmaceutical Industry and Food Industry High Temperature		C	265
		and Chemical Liquid with Particles Can be used Limitedly such as Chemical Cuprem		D	325
CE		Potassium Manganate Plating Gold Liquid and non-Electrolytic Nickel Plating Solvents Etc.			