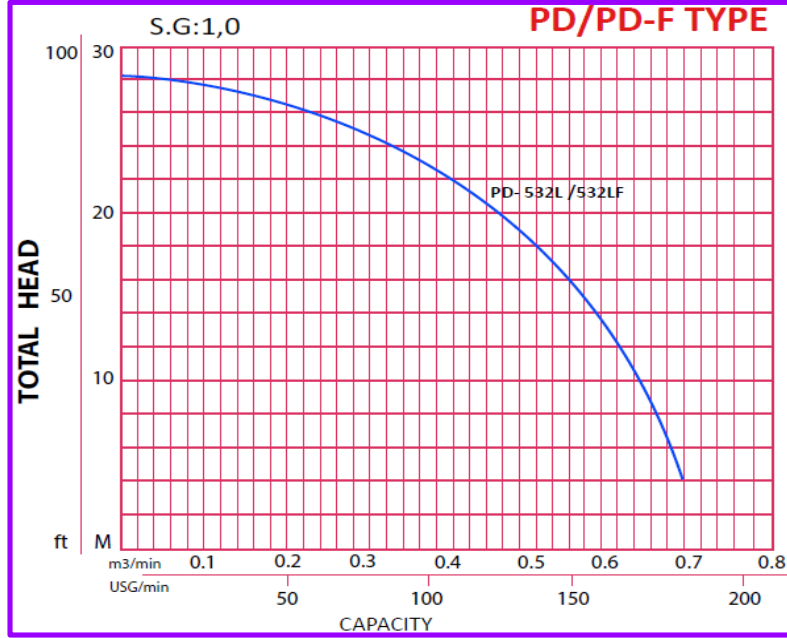


Pump Data

Brand :	Gol Pump	
Model :	GPD - 532 L	
Head Rate :	66 FEET	Flow Rate: 96 GPM
Head Max :	93 FEET	Flow Max: 160 GPM
Head Min :	13 FEET	Flow Min : 5 GPM
RPM :	3450 rpm	
Normal Power P1 :	5 HP	
Fluid:	Water	
Fluid Temperature:	at about 25 °C	
Density:	water 997 kg/m³	
Fluid Viscosity:	8.90 × 10 ⁻⁴ Pa·s	
With Float switch	NONE	
Self Priming	Submersible	
Delivery size	2" NPT	
Suction size	With Strainer	
Made in :	TAIWAN	



Motor Data

Power P2:	*	
Power P1:	3.7 KW	
Phase (PH):	3	
Rate Voltage :	480 V	
Capacitor Need :	*	µF
Ferequency :	60 Hz	
Rated Speed (rpm):	3450 rpm	
Current (A):	5.2 A	
Cos φ :	0.85	
Degree of Protection (IP):	IP 68	
Safety Protection Included :	*	
length of Cable :	*	mm2×m
Kind of Plug :	NONE	
Ambient Temp :	40°C = 104°F	



Other Pump Data

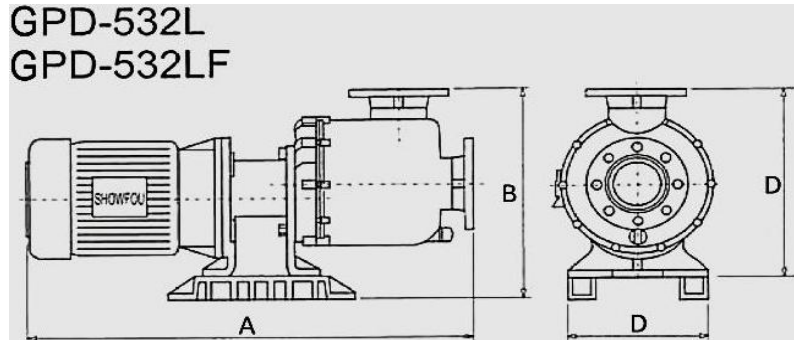
Impeller Size (mm) :	*	
Pressuer Rating :	PN 16	
Min. Fluid Temp :	0°C = 32° F	
Max. Fluid Temp :	90°C = 194°F	
Ambient Temp :	40°C = 104°F	
Humidity % :	100%	

Special Specification

Installation status :	Ver	
Variable frequency :	NONE	
Solid Passage	80	mm

Materials

Pump Body :	Cast Iron	
Support:	FRPP	
Impeller	FRPP	
Mechanical Seal:	Teflon	
Rubber	NBR	
Pump Shaft:	SUS 304	
Strainer	FRPP	
outer cover:	Cast Iron	
Motor:	Cast Iron	



Shaft Seal

Type:	*	
Stationary Part	Ceramic	
Rotating Part	Carbon	
Elastomer	FRPP	

Weight : 70 Kg

Standard Approve



Applicant:

Wasted and Polluted Water Treatment PCB Electronic Paper Industry Leather

Industry Dyeing and Textile Surface Electric Plated Industry Chemical Engineering

Industry Medical and Pharmaceutical Industry and Food Industry High Temperature

and Chemical Liquid with Particles Can be used Limitedly such as Chemical Cuprem

Potassium Manganate Plating Gold Liquid and non-Electrolytic Nickel Plating Solvents Etc.

Dimention in

mm

A	830
B	425
C	265
D	375

Pump and Motor specification optional

With Booster System	None	
With Complack	None	
Special Material	None	
Specail Voltage	None	

Protection system required

External Flout switch	*	
Minimum Starter	Starter SWT	

