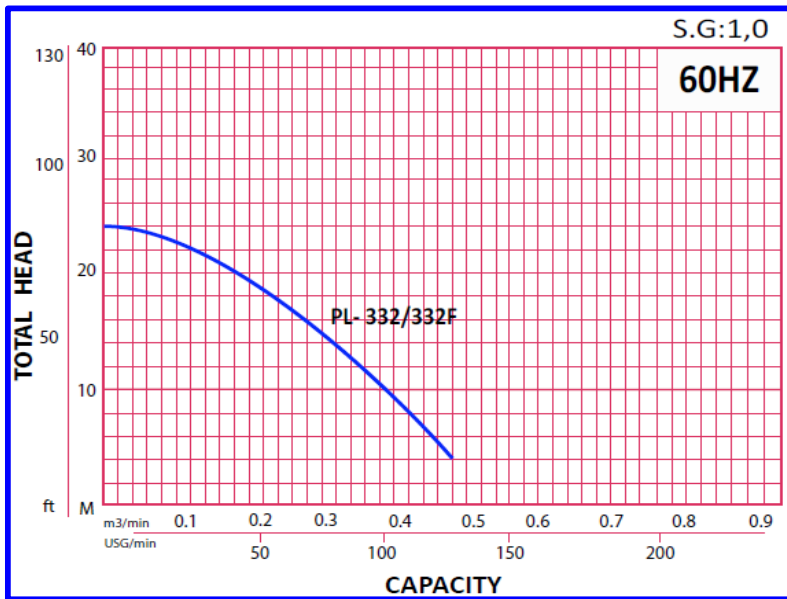


Pump Data

Brand :	Gol Pump		
Model :	GPL - 332		
Head Rate :	53 FEET	Flow Rate :	69 GPM
Head Max :	80 FEET	Flow Max :	128 GPM
Head Min :	13 FEET	Flow Min :	5 GPM
RPM :	3450 rpm		
Normal Power P1 :	3 HP		
Fluid :	Water		
Fluid Temperature :	at about 25 °C		
Density :	water 997 kg/m ³		
Fluid Viscosity :	8.90 × 10 ⁻⁴ Pa·s		
With Float switch :	NONE		
Self Priming :	Submersible		
Delivery size :	2" NPT		
Suction size :	With Strainer		
Made in :	TAIWAN		



Motor Data

Power P2 :	*		
Power P1 :	2.2 KW		
Phase (PH) :	3		
Rate Voltage :	480 V		
Capacitor Need :	*	µF	
Ferequency :	60 Hz		
Rated Speed (rpm) :	3450 rpm		
Current (A) :	3 A		
Cos φ :	0.85		
Degree of Protection (IP) :	IP 68		
Safety Protection Included :	*		
length of Cable :	*	mm2×m	
Kind of Plug :	NONE		
Ambient Temp :	40°C = 104°F		



Other Pump Data

Impeller Size (mm) :	*		
Pressuer Rating :	PN 16		
Min. Fluid Temp :	0°C = 32°F		
Max. Fluid Temp :	90°C = 194°F		
Ambient Temp :	40°C = 104°F		
Humidity % :	100%		

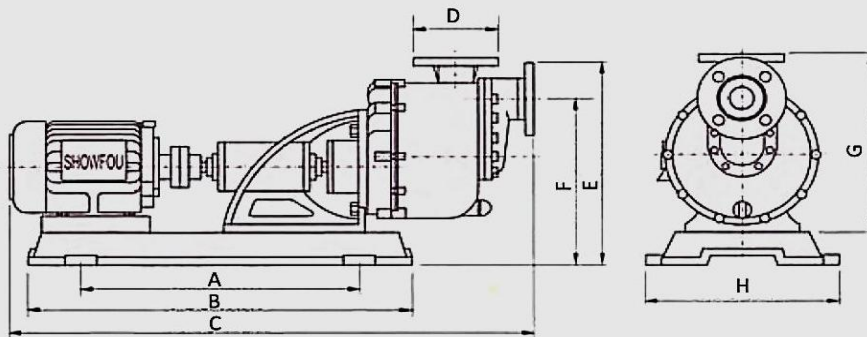
Special Specification

Installation status :	Ver		
Variable frequency :	NONE		
Solid Passage :	50	mm	

Materials

Pump Body :	Cast Iron
Support :	FRPP
Impeller :	FRPP
Mechanical Seal :	Teflon
Rubber :	NBR
Pump Shaft :	SUS 304
Strainer :	FRPP
outer cover :	Cast Iron
Motor :	Cast Iron

GPL-132/232/332/532
 GPL-132F/232F/332F/532F



Shaft Seal

Type :	*		
Stationary Part :	Ceramic		
Rotating Part :	Carbon		
Elastomer :	FRPP		

Weight : 45 Kg
 Standard Approve

Applicant:

Wasted and Polluted Water Treatment PCB Electronic Industry Brick Kiln Industry Paper
 Industry Leather Dyeing and Textile Surface Electric Plated Industry Chemical Engineering
 Industry Medical and Pharmaceutical Industry and Food Industry High Temperature
 and Chemical Liquid with Particles Can be used Limitedly such as Chemical Cuprem
 Potassium Manganate Plating Gold Liquid and non-Electrolytic Nickel Plating Solvents Etc.

Dimension in	
	mm
A	520
B	780
C	1140
D	156
E	413
F	326
G	358
H	390

Pump and Motor specification optional

With Booster System :	None		
With Complack :	None		
Special Material :	None		
Specail Voltage :	None		

Protection system required

External Flout switch :	*		
Minimum Starter :	Starter SWT		

