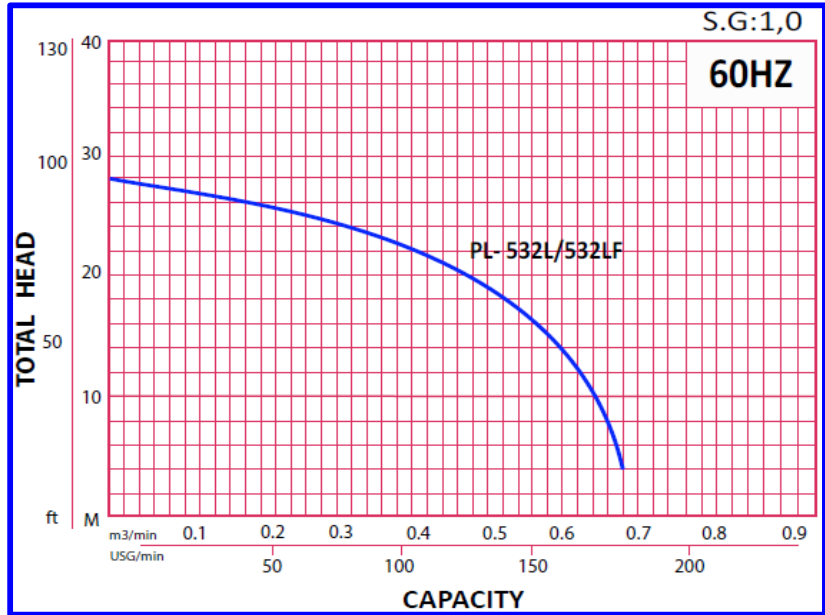


**Pump Data**

Brand : Gol Pump  
Model : GPL - 532 L

Head Rate : 66 FEET      Flow Rate: 101 GPM  
Head Max: 93 FEET      Flow Max: 181 GPM  
Head Min: 13 FEET      Flow Min : 5 GPM  
RPM : 3450 rpm  
Normal Power P1 : 5 HP  
Fluid: Water  
Fluid Temperature: at about 25 °C  
Density: water 997 kg/m³  
Fluid Viscosity: 8.90 × 10<sup>-4</sup> Pa·s  
With Float switch: NONE  
Self Priming: Submersible  
Delivery size: 3" NPT  
Suction size: With Strainer  
Made in : TAIWAN



**Motor Data**

Power P2: \*  
Power P1: 3.7 KW  
Phase (PH): 3  
Rate Voltage : 480 V  
Capacitor Need : \*      μF  
Ferequency : 60 Hz  
Rated Speed (rpm): 3450 rpm  
Current (A): 5.2 A  
Cos φ : 0.85  
Degree of Protection (IP): IP 68  
Safety Protection Included : \*  
length of Cable : \*      mm2×m  
Kind of Plug : NONE  
Ambient Temp : 40°C = 104°F



**Other Pump Data**

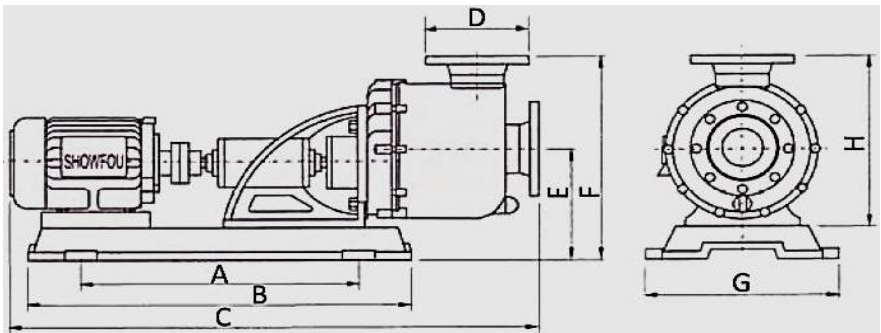
Impeller Size (mm) : \*  
Pressuer Rating : PN 16  
Min. Fluid Temp : 0°C = 32°F  
Max. Fluid Temp : 90°C = 194°F  
Ambient Temp : 40°C = 104°F  
Humidity % : 100%

**Special Specification**

Installation status : Ver  
Variable frequency : NONE  
Solid Passage 80 mm

**Materials**

Pump Body : Cast Iron  
Support: FRPP  
Impeller: FRPP  
Mechanical Seal: Teflon  
Rubber: NBR  
Pump Shaft: SUS 304  
Strainer: FRPP  
outer cover: Cast Iron  
Motor: Cast Iron



**GPL-532L/732L/1 032L**  
**GPL-532LF/732F/1 032F**

**Shaft Seal**

Type: \*  
Stationary Part: Ceramic  
Rotating Part: Carbon  
Elastomer: FRPP

Weight : 49 Kg

Standard Approve



**Applicant:**

Wasted and Polluted Water Treatment PCB Electronic Industry Brick Kiln Industry Paper Industry Leather Dyeing and Textile Surface Electric Plated Industry Chemical Engineering Industry Medical and Pharmaceutical Industry and Food Industry High Temperature and Chemical Liquid with Particles Can be used Limitedly such as Chemical Cuprem Potassium Manganate Plating Gold Liquid and non-Electrolytic Nickel Plating Solvents Etc.

Dimension in

mm

- A 520
- B 780
- C 1140
- D 185
- E 220
- F 430
- G 390
- H 358

**Pump and Motor specification optional**

With Booster System: None  
With Complack: None  
Special Material: None  
Specail Voltage: None

**Protection system required**

External Flout switch: \*  
Minimum Starter: Starter SWT