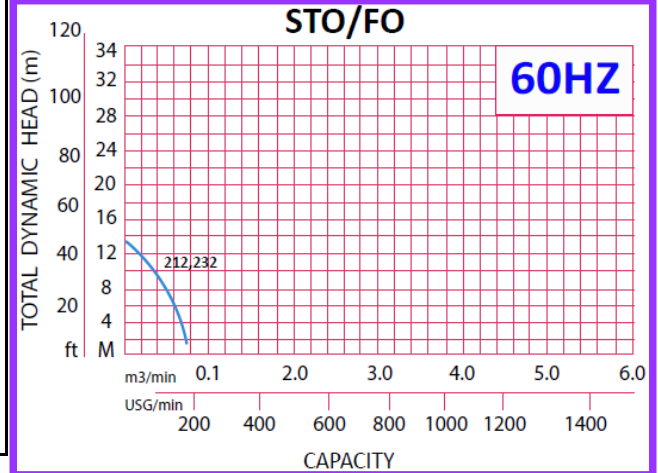


Pump Data

Brand :	Gol Pump	
Model :	GSTO-232	
Head Rate :	23 FEET	Flow Rate: 133 GPM
Head Max:	46 FEET	Flow Max: 192 GPM
Head Min:	6 FEET	Flow Min : 5 GPM
RPM :	3600	
Normal Power P1 :	2 HP	
Fluid:	Water	
Fluid Temperture:	at about 25 °C	
Density:	water 997 kg/m ³	
Fluid Viscosity:	8.90 × 10 ⁻⁴ Pa·s	
With Float switch	NONE	
Self Priming	Submersible	
Delivery size	3" NPT	
Suction size	With Strainer	
Made in :	TAIWAN	

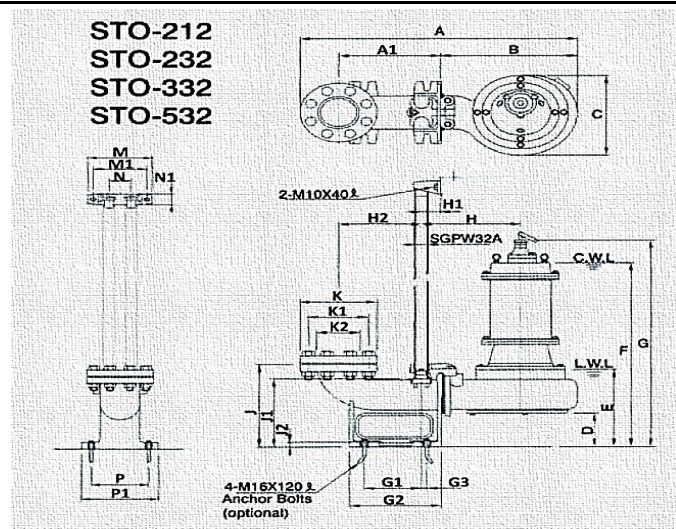


Motor Data

Power P2:	*	
Power P1:	1.5 KW	
Phase (PH):	3	
Rate Voltage :	480 V	
Capacitor Need :	*	µF
Ferequency :	60 Hz	
Rated Speed (rpm):	3600 rpm	
Current (A):	2.1 A	
Cos φ :	0.85	
Degree of Protection (IP):	IP 68	
Safety Protection Included:	E	
length of Cable :	3.5 × 10	mm2×m
Kind of Plug :	NONE	
Ambient Temp :	40°C = 104°F	

Other Pump Data

Impeller Size (mm) :	*	
Pressuer Rating :	PN 16	
Min. Fluid Temp :	10°C = 50°F	
Max. Fluid Temp :	40°C = 104°F	
Ambient Temp :	40°C = 104°F	
Humidity % :	100%	



Weight : 74 Kg
Standard Approve

Applicant:

Dimention in
mm

Special Specification

Installation status :	Ver	
Variable frequency :	NONE	
Solid Passage	28	mm

Materials

Pump Body :	Cast Iron	
Support:	Cast Iron	
Impeller	Cast Iron	
Mechanical Seal:	Silicon Carbide	
Rubber	Steel	
Pump Shaft:	SUS 304	
Strainer	Cast Iron	
outer cover:	Cast Iron	
Motor:	Cast Iron	

Shaft Seal

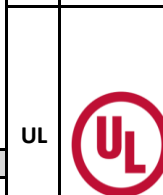
Type:	*	
Stationary Part	SUS 304	
Rotating Part	SUS 304	
Elastomer	Cast Iron	

Pump and Motor specification optional

With Booster System	None	
With Complack	None	
Special Material	None	
Specail Voltage	None	

Protection system required

External Flout switch	NONE	
Minimum Starter	Starter SWT	



Effluent Pumping in Industrial Waste Water

Treatment Plants Sewage Waste Water and Solid

Treatment in Various Factories and Building

Sites Food Processing Factory Confined

Livestock Feeding Industry Restaurants and

Shops Markets and Super Markets

A	693
A1	285
B	303
C	212
D	140
E	217
F	467
G	515
G1	155
G2	250
G3	15
H	256
H1	60
H2	225
K	365
K1	239
K2	12
M	234
M1	195
N	80
N1	66
P	170
P1	220
J	290
J1	240
J2	17