



# Technical Data

## Vertical In-line Pump - EGM65-4013-00754

Revision no.

Page:  
 1

	Receiver	From
Company name		
Respons. Department		
Person in charge		
Phone number		
Fax no		
E-mail address		



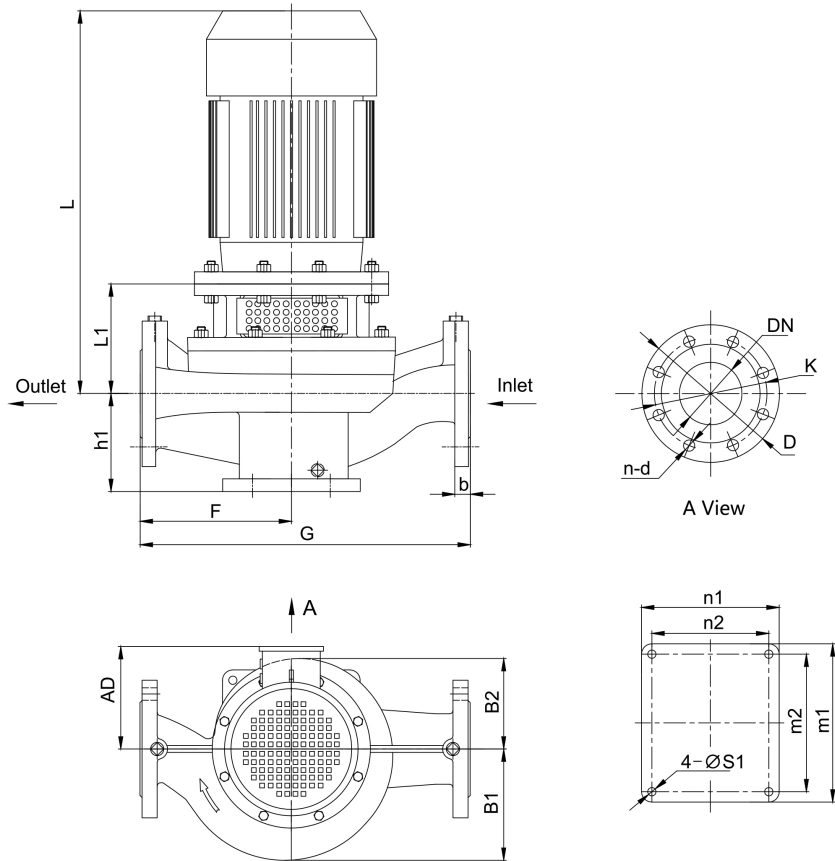
**Brand: Gol Pumps**  
**Model: EGM65-4013-00754**  
**Flange: ANSI Class 125**

Motor (V1)	
Model	HP
Y2-802-4	1

Weight (lb)		
Pump	Motor	Pump & Motor
83.6	37.4	121

Inlet	Outlet
2.5"	2.5"

**Dimensions:**



Pump Installation Size (inch)															
h1	L1	F	G	L	AD	B1	B2	n2 x m2	n1 x m1	S1	DN	D	K	n - d	b
5	6	6.9	14.2	16	5.7	4.4	3.9	6.7x7.9	7.9x9.1	0.5	2.5	7.1	5.5	4 - $\varnothing$ 0.8	-

Project	Project ID	Created by	Created on	Last update
---------	------------	------------	------------	-------------



# Performance Curves

## Vertical In-line Pump - EGM65-4013-00754

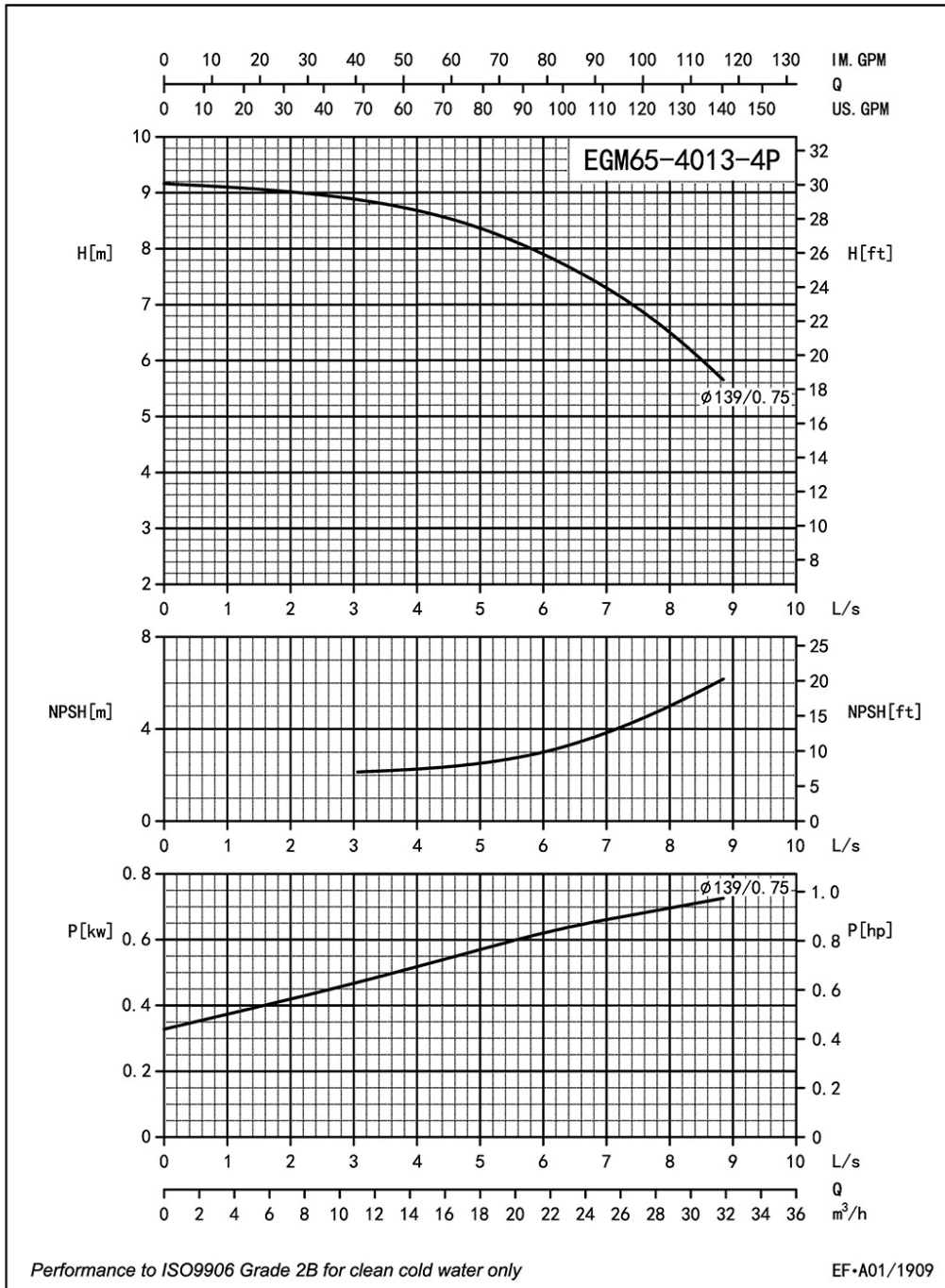
Revision no.

Page:  
 2

Receiver  From

Company name  
 Respons. Department  
 Person in charge  
 Phone number  
 Fax no  
 E-mail address

Model	Capacity			Head		Speed r/min	Motor hp	Voltage v	Phase	Impeller Diam.		Eff. %	(NPSH)r ft
	m <sup>3</sup> /h	l/s	gpm	m	ft					mm	inch		
EGM65-4013-00754	14.8	4.1	64.7	8.6	28	1710	1	230/460	3	139	5.5	66	7.2
	24.5	6.8	107.8	7.4	24		1					75.5	12.1
	29.5	8.2	129.3	6.4	21		1					72	17.4



Project	Project ID	Created by	Created on	Last update
---------	------------	------------	------------	-------------



# Parts List

## Vertical In-line Pump - EGM65-4013-00754

Revision no.

Page:

3

Receiver

From

 Company name  
 Respons. Department  
 Person in charge  
 Phone number  
 Fax no  
 E-mail address


### Parts List

1 Casing	14 Screw
2 Impeller Nut	15 Screw Bolt
3 Flat Washer	16 Screw Nut
4 Spring Washer	17 Screw Bolt
5 Front-Wear Ring	18 1/4 Plug
6 Impeller	19 3/8 Plug
7 Seal Seat	20 Key
8 Mech Seal	21 Screw Nut
9 Casing Gasket	22 Motor
10 Casing Cover	23 Key
11 1/4 Plug	24 Screw
12 Adapter	25 Shaft
13 Guard	

Project

Project ID

Created by

Created on

Last update