



Technical Data

Submersible Well Pump - SP 50002 - SS316

Revision no.

Page:
 1

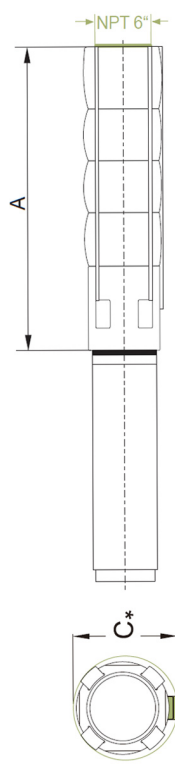
| | Receiver | From |
|---------------------|----------|------|
| Company name | | |
| Respons. Department | | |
| Person in charge | | |
| Phone number | | |
| Fax no | | |
| E-mail address | | |



Brand: Gol Pumps
Model: SP 50002



Dimensions:



| Pump Type | Motor Dia. | Dimensions (inch) | | | Net Weight (lb) |
|-----------|------------|-------------------|----|----------------|-----------------|
| | | A | C* | Pump Discharge | Pump |
| SP 500-02 | 6" | 29 | 7 | 5" NPT | 63 |

| | | | | |
|---------|------------|------------|------------|-------------|
| Project | Project ID | Created by | Created on | Last update |
|---------|------------|------------|------------|-------------|



Performance Curves

Submersible Well Pump - SP 50002 - SS316

Revision no.

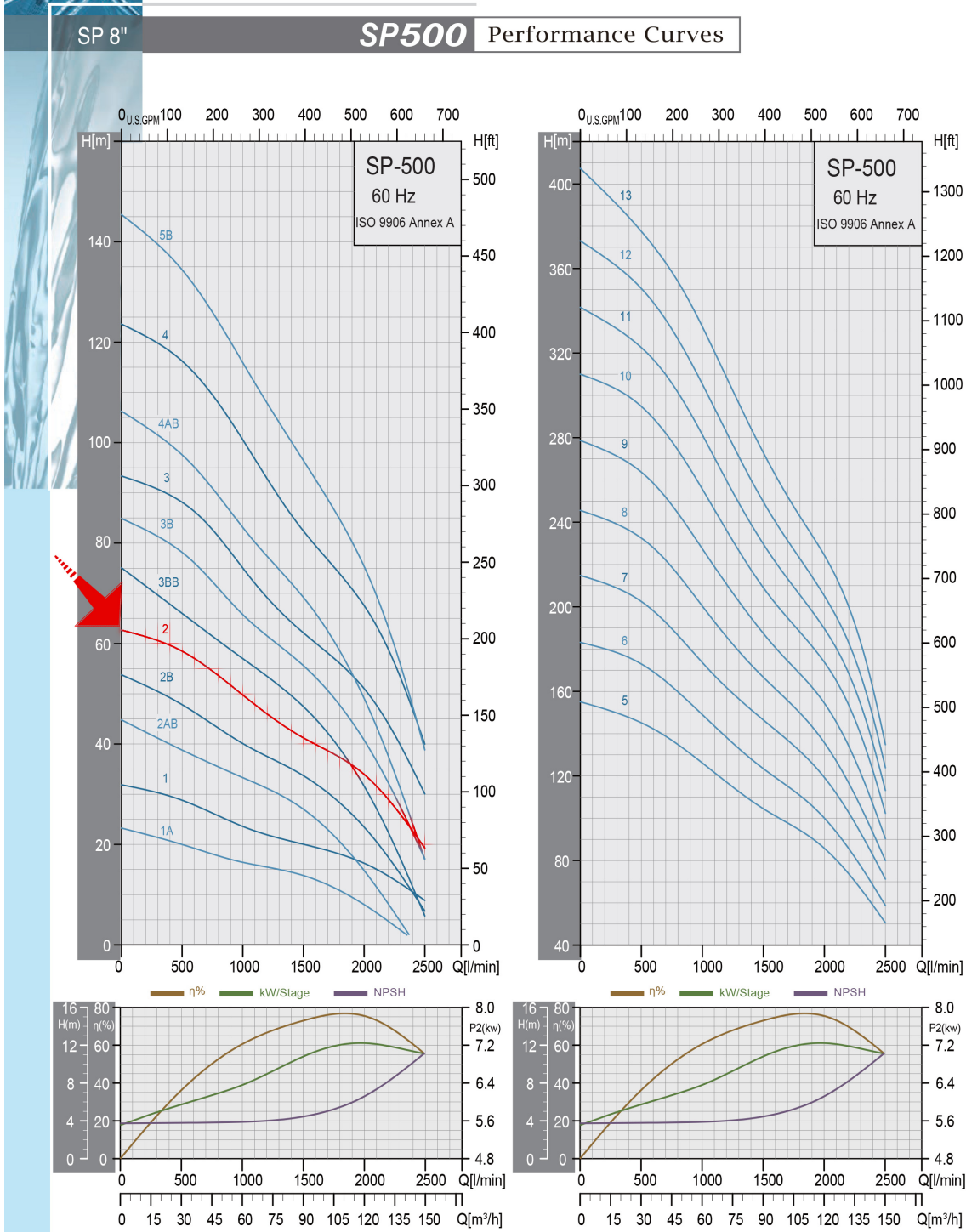
Page:
 2

Company name
 Respons. Department
 Person in charge
 Phone number
 Fax no
 E-mail address

Receiver

From

| Pump Type | Motor | | Q capacity 3450 rpm | | | | | | | | | | | | |
|-----------|-------|----|---------------------|-----|-----|-----|-----|-----|-----|-----|-----|-----|-----|-----|-----|
| | P2 | | m ³ /h | 18 | 30 | 42 | 54 | 66 | 78 | 90 | 102 | 114 | 126 | 138 | 150 |
| | KW | HP | G/min | 79 | 132 | 185 | 238 | 290 | 343 | 396 | 449 | 502 | 555 | 607 | 660 |
| SP 500-02 | 15 | 20 | Head(ft) | 197 | 190 | 180 | 167 | 157 | 144 | 134 | 125 | 118 | 105 | 85 | 62 |



| | | | | |
|---------|------------|------------|------------|-------------|
| Project | Project ID | Created by | Created on | Last update |
|---------|------------|------------|------------|-------------|



Parts and Materials

Submersible Well Pump - SP 5002 - SS316

Revision no. _____

Page: 3

Receiver _____

From _____

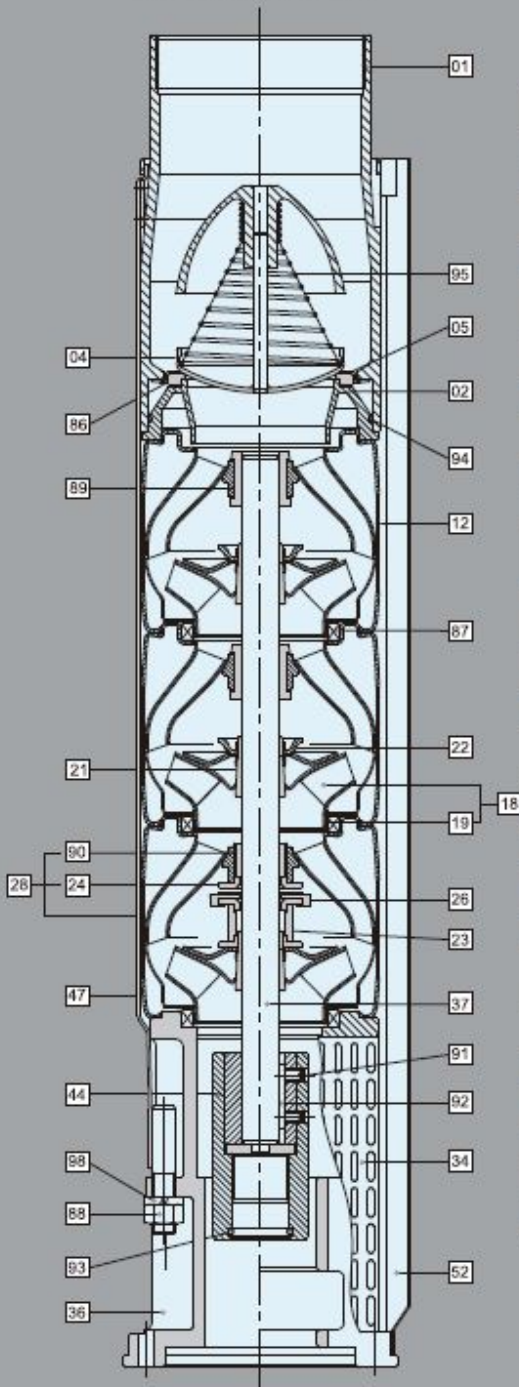
Company name _____
 Respons. Department _____
 Person in charge _____
 Phone number _____
 Fax no _____
 E-mail address _____

| |
|--|
| |
| |
| |
| |
| |

| |
|--|
| |
| |
| |
| |
| |

General Data

Example: SP500



Material Specification-8" Pumps

| Pos. | Components | Standard |
|------|------------------------------|-------------------------|
| 01 | Discharge | SUS304 / SUS316 |
| 02 | Lower Valve Seat Retainer | SUS304 / SUS316 |
| 04 | Valve Cup | SUS304 / SUS316 |
| 05 | Upper Valve Seat Retainer | SUS304 / SUS316 |
| 12 | Diffuser | SUS304 / SUS316 |
| 18 | Impeller | SUS304 / SUS316 |
| 19 | Ring Of Impeller | SUS304 / SUS316 |
| 21 | Split Cone | SUS304 / SUS316 |
| 22 | Split Cone Nut | SUS304 / SUS316 |
| 23 | Nut For Stop Ring | SUS304 / SUS316 |
| 24 | Stop Ring | SUS304 / SUS316 |
| 26 | Spacing Washer For Stop Ring | Carbon+Graphite+PTFE |
| 28 | Bottom Diffuser | SUS304 / SUS316 |
| 34 | Strainer | SUS304 / SUS316 |
| 36 | Suction Interconnector | SUS304 / SUS316 |
| 37 | Pump Shaft | SUS431 / SUS316 |
| 44 | Coupling | SUS304 / SUS316 |
| 47 | Strap | SUS304 / SUS316 |
| 52 | Cable Guard | SUS304 / SUS316 |
| 86 | Valve Seat | NBR |
| 87 | Neck Ring | SUS304+NBR / SUS316+NBR |
| 88 | Nut | SUS304 / SUS316 |
| 89 | Bearing | NBR |
| 90 | Bearing | US304+NBR / SUS316+NBR |
| 91 | Screw | SUS304 / SUS316 |
| 92 | Key | SUS304 / SUS316 |
| 93 | O-ring | NBR |
| 94 | O-ring | NBR |
| 95 | Spring | SUS304 / SUS316 |
| 98 | Spring Washer | SUS304 / SUS316 |

*AISI 316 stainless steel pumps are available on request.

| | | | | |
|---------------|------------------|------------------|------------------|-------------------|
| Project _____ | Project ID _____ | Created by _____ | Created on _____ | Last update _____ |
|---------------|------------------|------------------|------------------|-------------------|



Parts and Materials

Submersible Well Pump - SP 50002 - SS316

Revision no.

Page:
 3

Receiver

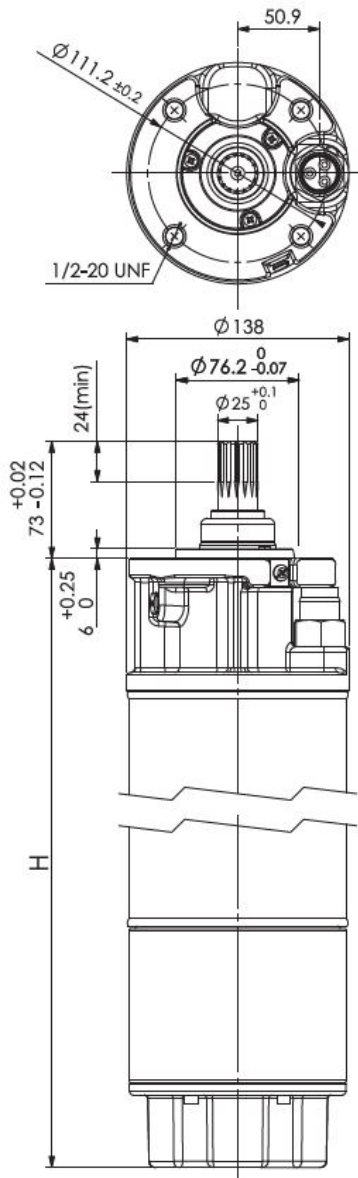
From

Company name
 Respons. Department
 Person in charge
 Phone number
 Fax no
 E-mail address

| |
|--|
| |
| |
| |
| |
| |

| |
|--|
| |
| |
| |
| |
| |

| Motor | P2 | | S.F | Voltage | In | Phase | Imax | Istart | PF% | | Efficiency% | | Nn | Thrust | Cable | | N.W | G.W |
|----------|----|----|------|---------|------|-------------|------|--------|----------------|-----------------|----------------|-----------------|------|--------|-------|-----|-------|-------|
| | HP | KW | | V | A | ~ | A | A | allowable Load | overload Factor | allowable Load | overload Factor | RPM | N | M | AWG | kg | kg |
| 6CN7346D | 20 | 15 | 1.15 | 460 | 28.6 | Three Phase | 31.7 | 152 | 0.80 | 0.83 | 82.0 | 82.1 | 3450 | 15500N | 4 | 10 | 59.05 | 65.59 |



316SS

| HP | KW | H(INCH) |
|----|----|---------|
| 20 | 15 | 31 |

| | | | | |
|---------|------------|------------|------------|-------------|
| Project | Project ID | Created by | Created on | Last update |
|---------|------------|------------|------------|-------------|



Parts and Materials

Submersible Well Pump - SP 50002 - SS316

Revision no.

Page:
 3

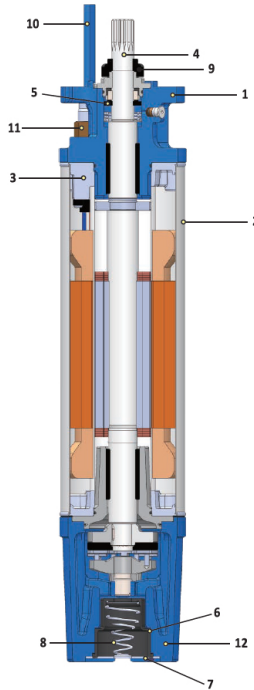
Receiver

From

Company name
 Respons. Department
 Person in charge
 Phone number
 Fax no
 E-mail address

| |
|--|
| |
| |
| |
| |
| |
| |

| |
|--|
| |
| |
| |
| |
| |
| |



| NO. | Component | 6CN |
|-----|-------------------------------------|--------------------|
| 1 | Upper Bracket | AISI 316 |
| 2 | Stator Shell | AISI 316 |
| 3 | Stator Ends | AISI 316 |
| 4 | Shaft | AISI 630 |
| 5 | Mechanical Seal | SiC / SiC |
| 6 | Diaphragm | NBR |
| 7 | End Cover | AISI 316 |
| 8 | Spring | AISI 316 |
| 9 | Sand Slinger | NBR |
| 10 | Lead Wire (Cable) | XLPE |
| 11 | Cable Jam Nut | AISI 316 |
| 12 | Lower Bracket | AISI 316 over Iron |
| | Lead Potting | Epoxy |
| | Mechanical Seal / Rubber Components | NBR |
| | Thrust Pad | AISI 420 |

| Project | Project ID | Created by | Created on | Last update |
|---------|------------|------------|------------|-------------|
|---------|------------|------------|------------|-------------|