



Technical Data

Submersible Well Pump - SP 80003 - SS316

Revision no.

Page:
 1

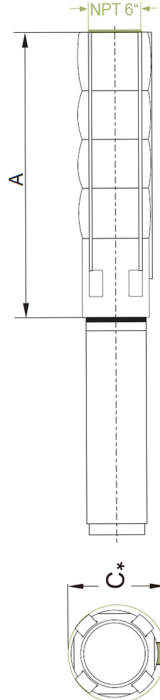
	Receiver	From
Company name		
Respons. Department		
Person in charge		
Phone number		
Fax no		
E-mail address		



Brand: Gol Pumps
Model: SP 80003



Dimensions:



Pump Type	Motor Dia.	Dimensions (inch)			Net Weight (lb)
		A	C*	Pump Discharge	Pump
SP 800-03	8"	38	8	6" NPT	98

Project	Project ID	Created by	Created on	Last update
---------	------------	------------	------------	-------------



Performance Curves

Submersible Well Pump - SP 80003 - SS316

Revision no.

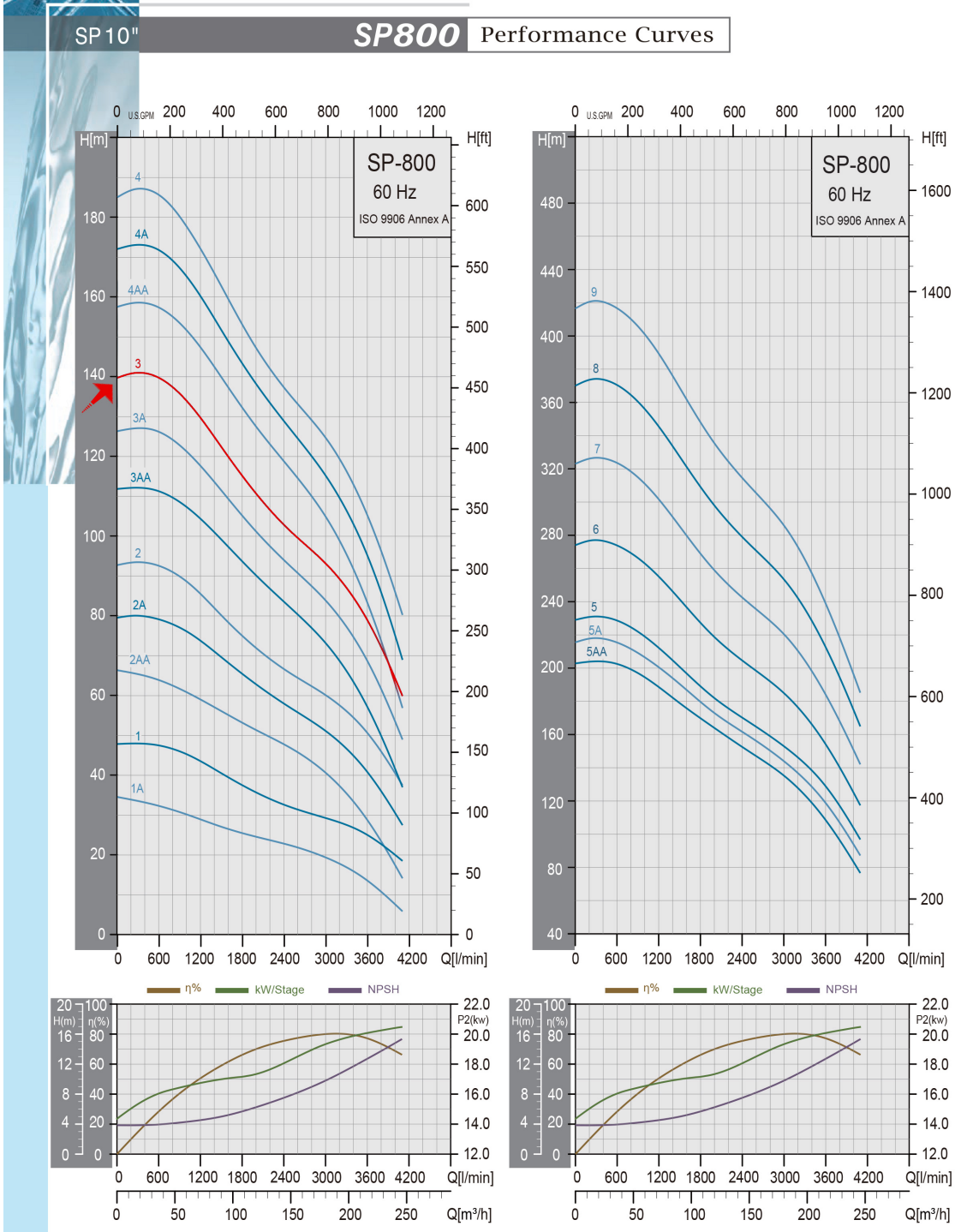
Page:
 2

Company name
 Respons. Department
 Person in charge
 Phone number
 Fax no
 E-mail address

Receiver

From

Pump Type	Motor		Q capacity 3450 rpm												
	P2		m³/h	36	54	72	90	108	126	144	162	180	198	216	234
	KW	HP	G/min	158	238	317	396	475	555	634	713	792	872	951	1030
SP 800-03	55	75	Head(ft)	459	446	426	403	377	354	338	321	305	285	259	223



Project	Project ID	Created by	Created on	Last update
---------	------------	------------	------------	-------------



Parts and Materials

Submersible Well Pump - SP 80003 - SS316

Revision no.

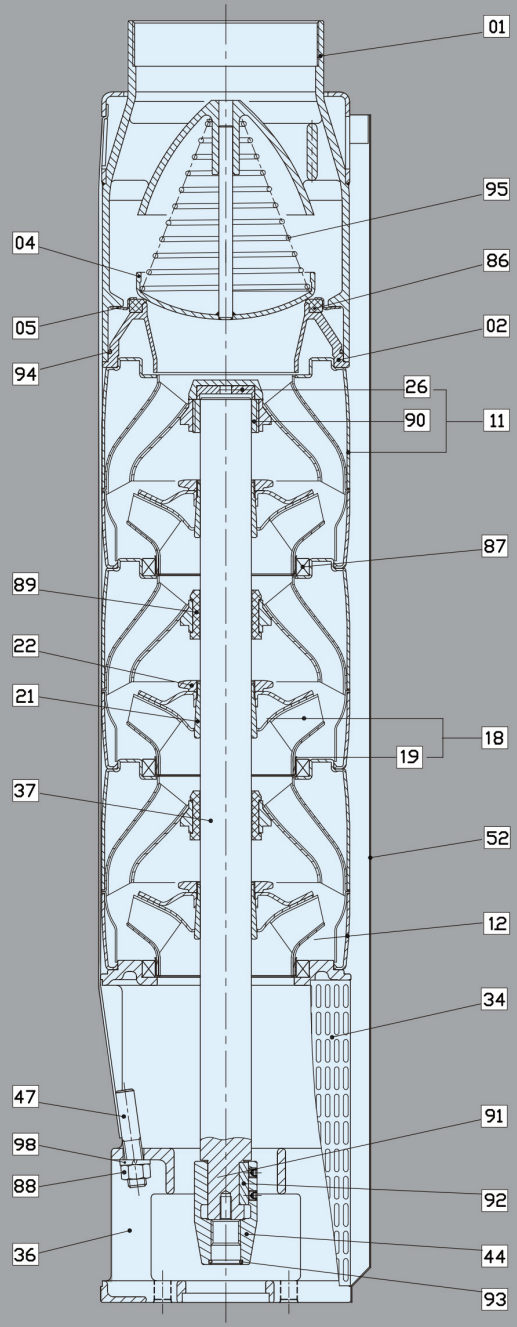
Page:
 3

Receiver

From

Company name
 Respons. Department
 Person in charge
 Phone number
 Fax no
 E-mail address

Example: SP-1100



Material Specification-10" Pumps

Pos.	Components	Standard
01	Discharge	SUS316
02	Lower Valve Seat Retainer	SUS316
04	Valve Cup	SUS316
05	Upper Valve Seat Retainer	SUS316
11	Upper Diffuser	SUS316
+26	Spacing Washer For Stop Ring	Carbon Fiber+MoS2+PTFE
+90	Upper Bearing	SUS316+NBR
12	Diffuser	SUS316
18	Impeller	SUS316
18	Impeller - A	SUS316
+19	Ring Of Impeller	SUS316
21	Split Cone	SUS316
22	Split Cone Nut	SUS316
34	Strainer - one lead	SUS316
34	Strainer - two leads	SUS316
36	Suction Interconnector - 6"	SUS316
36	Suction Interconnector - 8"	SUS316
37	Shaft	SUS316
44	Coupling - 6"	SUS316
44	Coupling - 8"	SUS316
47	Strap	SUS316
52	Cable Guard	SUS316
86	Valve Seat	NBR70
87	Neck Ring	PPS+NBR
88	Nut	SUS316
89	Bearing	NBR70
91	Screw - 6"	SUS316
91	Screw - 8"	SUS316
92	Key - 6"	SUS316
92	Key - 8"	SUS316
93	O-ring - 6"	NBR70
93	O-ring - 8"	NBR70
94	O-ring	NBR70
95	Spring	SUS316
98	Spring Washer	

*AISI 316 stainless steel pumps are available on request.

Project	Project ID	Created by	Created on	Last update
---------	------------	------------	------------	-------------



Motor Technical Datasheet

Submersible Well Pump - SP 80003 - SS316

Revision no.

Page:
2

Receiver

From

Company name
 Respons. Department
 Person in charge
 Phone number
 Fax no
 E-mail address

Motor	Pmax		Un	In	Ia	n (Eff. %)			cos (PF)			r.p.m	Max. water T in °F			Cable	Cable L	
	HP	KW	V	A	A	2/4	3/4	4/4	2/4	3/4	4/4	n	N	PVC	PE2+PA	HT	(inch^2)	ft
8F75XC	75	55	440	97	388	85.7	88	86.5	0.75	0.83	0.86	3481	60000	86	140	167	(0.9)x3	11
			460	94	376	85.9	88.1	86.7	0.74	0.82	0.85	3490					(0.6)x3	

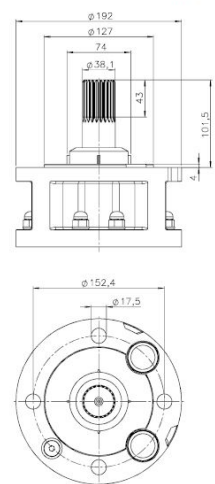


Motor Type	Lenght	Net weight	Case dimensions (inch)			Gross weight
	inch		A	B	C	
8F75XC	57	428	61	11	16	462

10" Coupling - Nema:

Motore 8" · Attacco 8" - NEMA

8" Motor - 8" Coupling - NEMA
 Moteur 8" - Accouplement 8" - NEMA
 Motor 8" - Acoples 8" - NEMA



Project	Project ID	Created by	Created on	Last update
---------	------------	------------	------------	-------------



Motor Material

Submersible Well Pump - SP 80003 - S316

Revision no.

Page:
 2

Receiver	From

Company name
 Respons. Department
 Person in charge
 Phone number
 Fax no
 E-mail address

Pos.	Qt.	Components	Material AISI 316
1	1	Sand guard	NBR 90
2	1/2	Ring nut	AISIS 316 / Wr 14401
3	2/4	Cable-press	Plastic
4	1/2	Cable-press gasket	NBR 45
5	4	Nut	AISIS 316 / Wr 14401
6	4	Washer	AISIS 316 / Wr 14401
7	1	Upper flange	AISIS 316 / Wr 14401
8	4	Screw	AISIS 316 / Wr 14401
9	1	Screw	AISIS 316 / Wr 14401
10	1	Mechanical Seal	SIC + SIC + NBR
11	4	Gasket	Paper
12	1	Upper support	AISIS 316 / Wr 14401
13	2/3/4	Seal bushing	Graphite
14	1	Stator	AISIS 316 / Wr 14401
15	3/6	Single core round cable	EPR 0.6-1 KV
16	8	Upper tension rod	AISIS 316 / Wr 14401
17	16	Gasket	/
18	16	Washer	AISIS 316 / Wr 14401
19	16	Nut	AISIS 316 / Wr 14401
20	2	Washer	/
21	1	Plug	AISIS 316 / Wr 14401
21A	1	Valve	AISIS 316 / Wr 14401
22	1	Rotor	Duplex / Wr 14462
23	1	Key	Iron
24	1	Lower support	AISIS 316 / Wr 14401
25	1	Striker disk	Plastic
26	1	Screw	AISIS 304 / Wr 14301

Project	Project ID	Created by	Created on	Last update
---------	------------	------------	------------	-------------



Motor Technical Datasheet

Submersible Well Pump - SP 80003 - SS316

Revision no.

Page:
 2

Receiver

From

Company name
 Respons. Department
 Person in charge
 Phone number
 Fax no
 E-mail address

27	4	Thrust disk	Steel/Graphite/Resin
28	1	Seeger ring	Iron
29	1	Thrust sliding	AISIS 420
30	6	Base	AISIS 316 / Wr 14401
31	1	Screw	Iron
32	1	Nut	Iron
33	1	Internal over	AISIS 304 / Wr 14301
34	1	Membrane	NBR 60
35	1	External cover	AISIS 316 / Wr 14401
36	4	Screw	AISIS 316 / Wr 14401
37	8	Lower tension rod	AISIS 316 / Wr 14401
38	1	Complete thrust bearing	/
39	1	Protective ring	PA 66

Project	Project ID	Created by	Created on	Last update
---------	------------	------------	------------	-------------